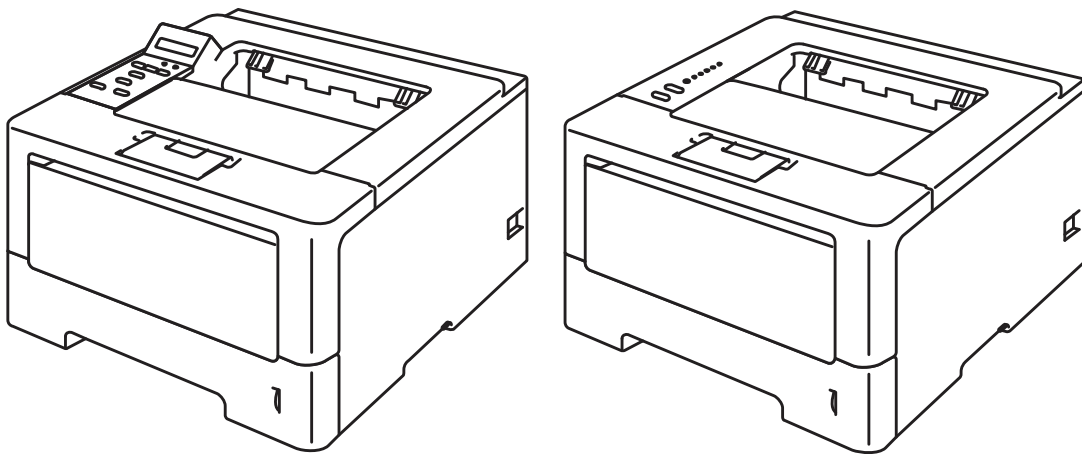




Laser Printer **PARTS REFERENCE LIST**

**MODEL:HL-5440D/5445D/
5450DN/5450DNT/5452DN/5470DW/
5470DWT/5472DW/5472DWT/
6180DW/6180DWT/6182DW/6182DWT**



Read this list thoroughly before maintenance work.

Keep this list in a convenient place for quick and easy reference at all times.

NOTE FOR USING THIS PARTS REFERENCE LIST

1. In the case of ordering parts, it is necessary to mention the following items:

- (1) Code
- (2) Q'ty
- (3) Description

<Example>

REF.NO.	(1) CODE	(2) Q'TY	(3) DESCRIPTION	REMARKS

2. Design-changed parts:

If any of the parts code is changed in this Parts List, one of the following symbols is indicated in the REMARKS column.

- CHG (chg): The part code is changed for a new one in this Parts List.
 - ADD (add): The part code is newly added in this Parts List.
 - DEL (del): The part code is deleted in this Parts List.
- Symbol in capital letters indicates the latest parts change information in the page.

3. Parts change will be informed by the Parts change information.

4. Parts are subject to change in design without prior notice.

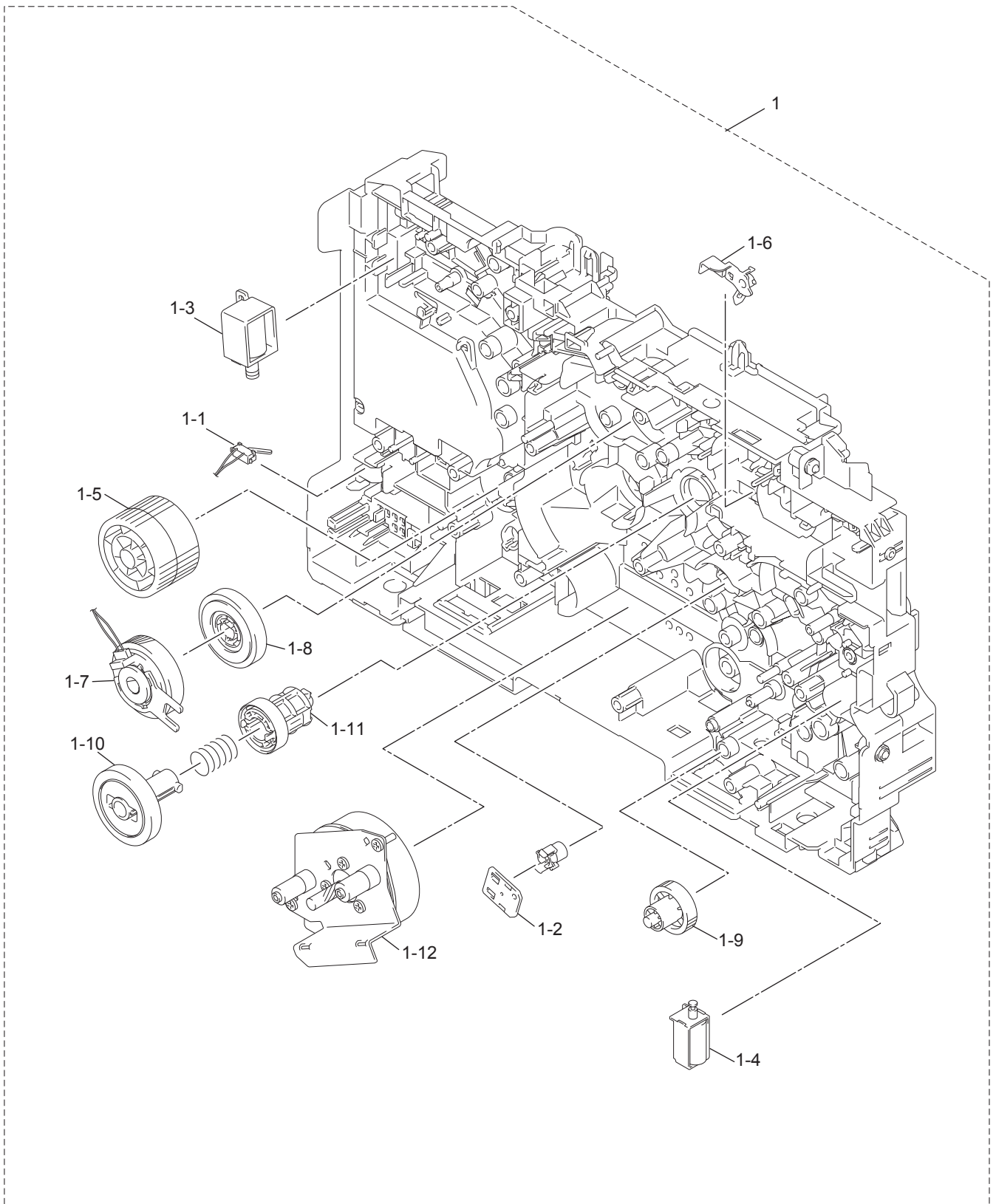
COUNTRIES & AREAS

ARG ---- ARGENTINA	IBR ---- IBERIA (SPAIN & PORTUGAL)
ARL ---- AUSTRALIA	IND ---- INDIA
BRA ---- BRAZIL	ITA ---- ITALY
CAN ---- CANADA	KOR ---- KOREA
CEE ---- CEE GENERAL	PHL ---- PHILIPPINES
CHE ---- SWITZERLAND	PND ---- PAN-NORDIC (NORWAY/FINLAND/DENMARK/SWEDEN)
CHL ---- CHILE	RUS ---- RUSSIA
CHN ---- CHINA	SGP ---- SINGAPORE
FRA/BEL/NLD ---- FRANCE/BELGIUM/NETHERLANDS	TWN ---- TAIWAN
GER ---- GERMANY	UK ---- UNITED KINGDOM
GUL ---- GULF	US ---- U.S.A.

CONTENTS

1.	<u>FRAME L & DRIVE UNIT</u>	1
2.	<u>FRAME</u>	3
3.	<u>LASER UNIT</u>	5
4.	<u>PAPER FEEDER</u>	7
5.	<u>DUPLEX</u>	9
6.	<u>PAPER TRAY</u>	11
7.	<u>FUSER UNIT</u>	13
8.	<u>COVERS & LABELS</u>	15
9.	<u>PCB</u>	18
10.	<u>ACCESSORIES</u>	20
11.	<u>PACKING MATERIALS</u>	23
12.	<u>PERIODICAL MAINTENANCE PARTS</u>	26
13.	<u>LOWER TRAY</u>	28

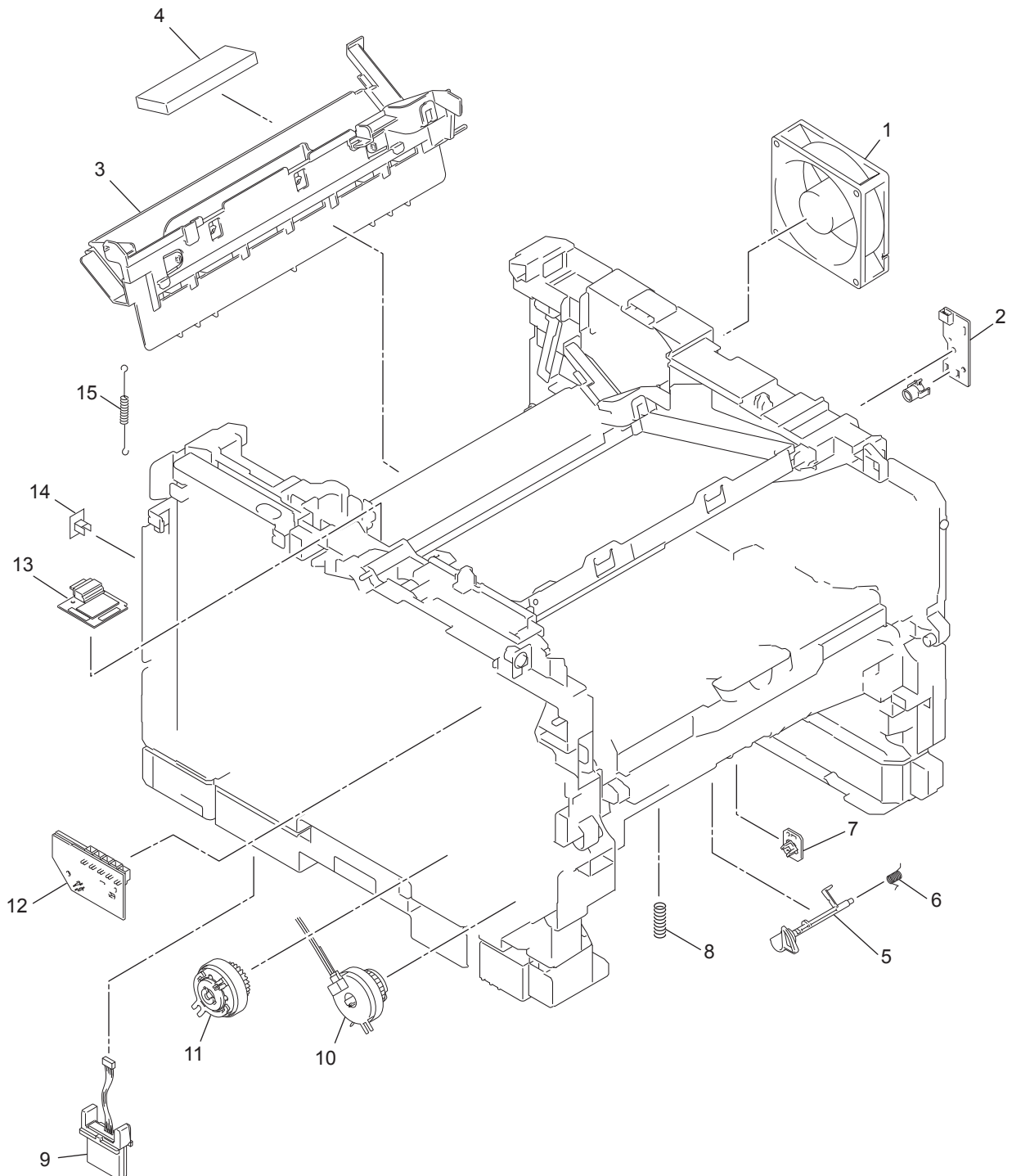
1. FRAME L DRIVE UNIT



1. FRAME L & DRIVE UNIT

REF No.	CODE	Q'TY	DESCRIPTION	REMARKS
1	LY5698001	1	MAIN FRAME L ASSY (SP) FOR CHN/ARG/CHL	
1	LU9838001	1	MAIN FRAME L ASSY (SP) EXCEPT FOR CHN/ARG/CHL	add
1-1	LV0768001	1	BACK COVER SWITCH HARNESS ASSY	
1-2	LV0766001	1	TONER SENSOR PCB ASSY	
1-3	LY4446001	1	DUPLEX SOLENOID FOR CHN/ARG/CHL	
1-3	LU9351001	1	DUPLEX SOLENOID EXCEPT FOR CHN/ARG/CHL	ADD
1-4	LY4393001	1	MP SOLENOID FOR CHN/ARG/CHL	
1-4	LU9352001	1	MP SOLENOID EXCEPT FOR CHN/ARG/CHL	ADD
1-5	LY4450001	1	FUSER DRIVE GEAR 39	
1-6	LY4454001	1	NEW TONER ACTUATOR	
1-7	LY4408001	1	DEVELOP CLUTCH 51R	
1-8	LY4409001	1	DEVELOP ONE WAY CLUTCH 53	
1-9	LY4398001	1	LT DRIVE GEAR 29	
1-10	LY4382001	1	DEVELOP JOINT GEAR 37	
1-11	LY4380001	1	DEVELOP JOINT	
1-12	LY5383001	1	MAIN MOTOR ASSY (SP)	

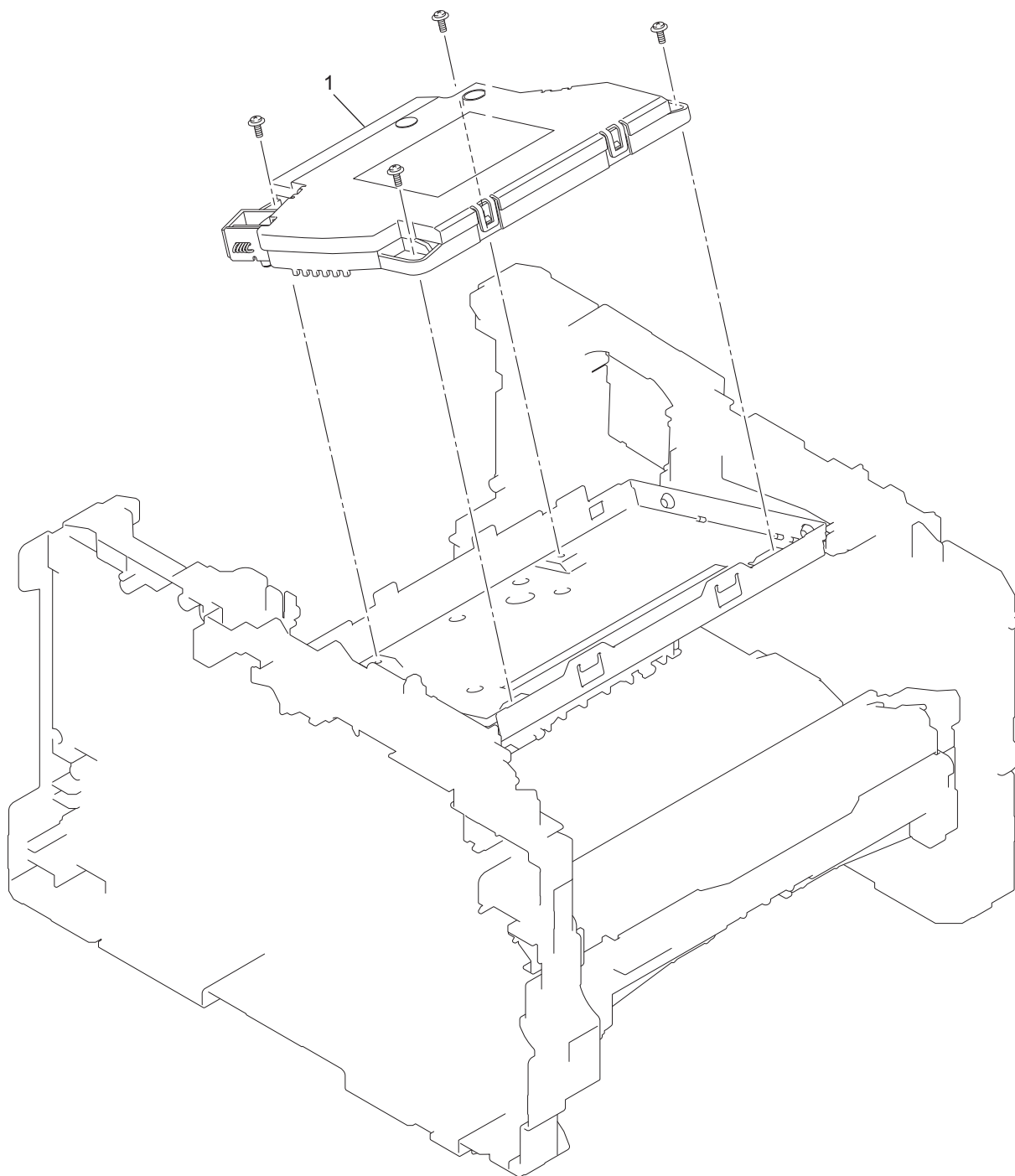
2. FRAME



2. FRAME

REF No.	CODE	Q'TY	DESCRIPTION	REMARKS
1	LY4367001	1	MAIN FAN	
2	LV0771001	1	TONER LED PCB ASSY	
3	LY4350001	1	AIR DUCT	
4	LY5321001	1	FILTER	
5	LY4562001	1	T1 PAPER FEED ACTUATOR	
6	LY4561001	1	T1 PAPER FEED ACTUATOR SPRING	
7	LV0812001	1	T1 PAPER FEED SENSOR PCB ASSY	
8	LY4331001	1	FEED GROUND SPRING	
9	LM9266001	1	LT CONNECTOR (T1)	
10	LY4335001	1	T1 CLUTCH	
11	LY4332001	1	REGISTRATION CLUTCH	
12	LV0773001	1	RELAY FRONT PCB ASSY	
13	LT2155001	1	WIRELESS LAN PCB, HL-5470DW/5470DWT/5472DW/5472DWT/6180DW/6180DWT/6182DW/6182DWT/ 6180DW GER TENDER	
14	LY0872001	1	LAN PORT CAP EXCEPT FOR HL-5440D/5445D	
15	LY5704001	1	FUSER UNIT GROUND SPRING	ADD

3. LASER UNIT

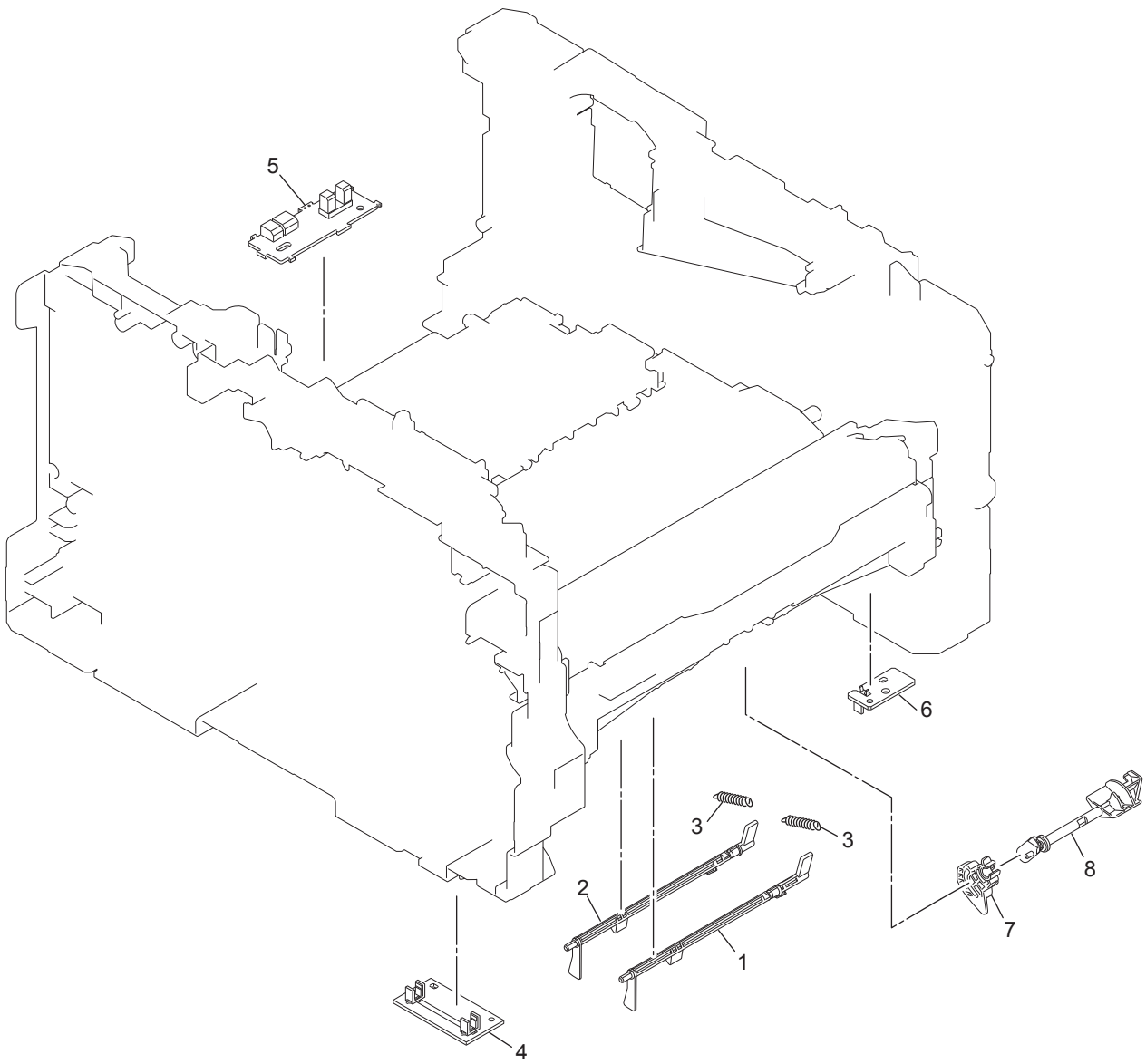


3. LASER UNIT

REF No.	CODE	Q'TY	DESCRIPTION	REMARKS
1	LY4628001	1	LASER UNIT (SP) (SJ type) *1	
1	LU9361001	1	LASER UNIT (SP) (SM type) *1	ADD

*1 When replacing the Laser unit, open the front cover of the machine, check the first two characters of the Laser serial label attached on the Laser plate and order the same type of the Laser unit that was attached to the machine.

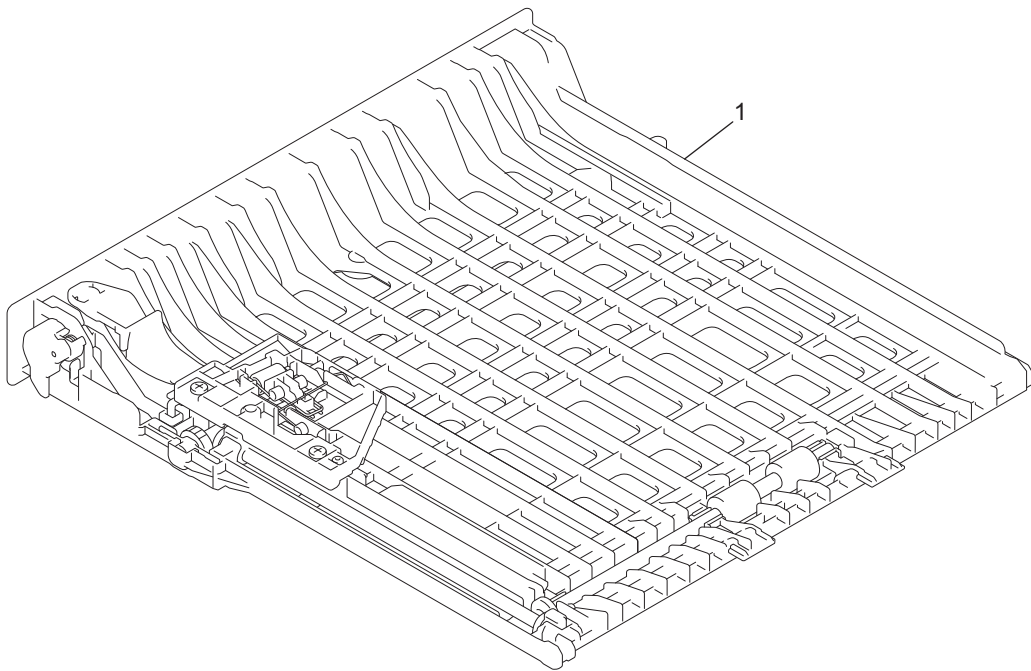
4. PAPER FEEDER



4. PAPER FEEDER

REF No.	CODE	Q'TY	DESCRIPTION	REMARKS
1	LY4311001	1	REGISTRATION FRONT ACTUATOR	CHG
2	LY4310001	1	REGISTRATION REAR ACTUATOR	
3	LY4309001	2	REGISTRATION ACTUATOR SPRING	
4	LV0785001	1	REGISTRATION FRONT/REAR SENSOR PCB ASSY	
5	LV1501001	1	EJECT SENSOR PCB ASSY	
6	LV0789001	1	MP PAPER EMPTY SENSOR PCB ASSY	
7	LY4290001	1	MP PAPER EMPTY ACTUATOR 2	
8	LY4289001	1	MP PAPER EMPTY ACTUATOR 1	

5. DUPLEX



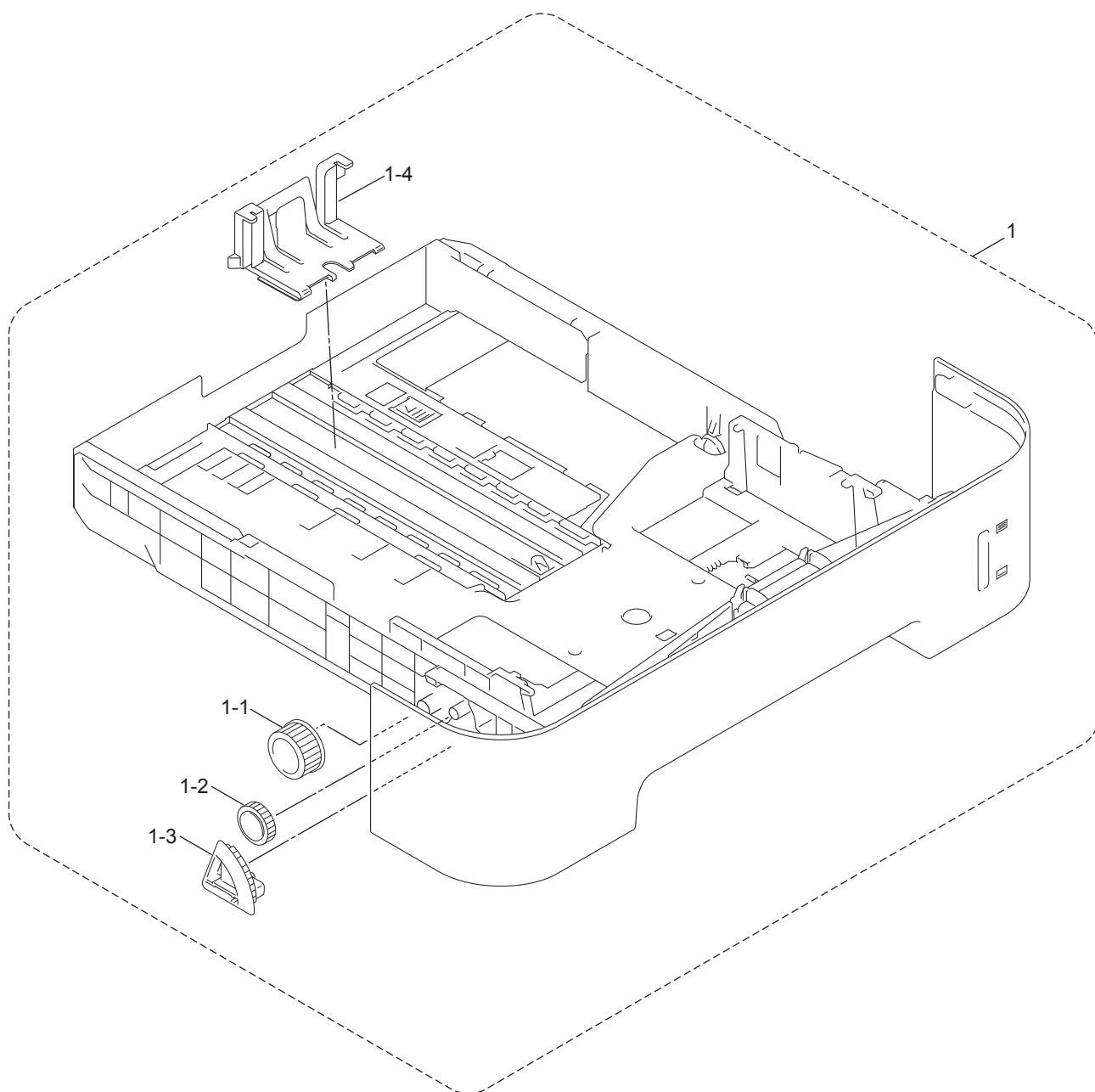
5. DUPLEX

REF No.	CODE	Q'TY	DESCRIPTION	REMARKS
1	LY5837001	1	DUPLEX TRAY LTR (SP) FOR US/CAN/PHL/ARG/CHL/BRA	
1	LY5694001	1	DUPLEX TRAY A4 (SP) EXCEPT FOR US/CAN/PHL/ARG/CHL/BRA	

84UD01/03/04/
05/06/17/18

HL-5440D/5445D/5450DN/
5450DNT/5452DN/5470DW/5470DWT/
5472DW/5472DWT/6180DW/6180DWT/
6182DW/6182DWT

6. PAPER TRAY



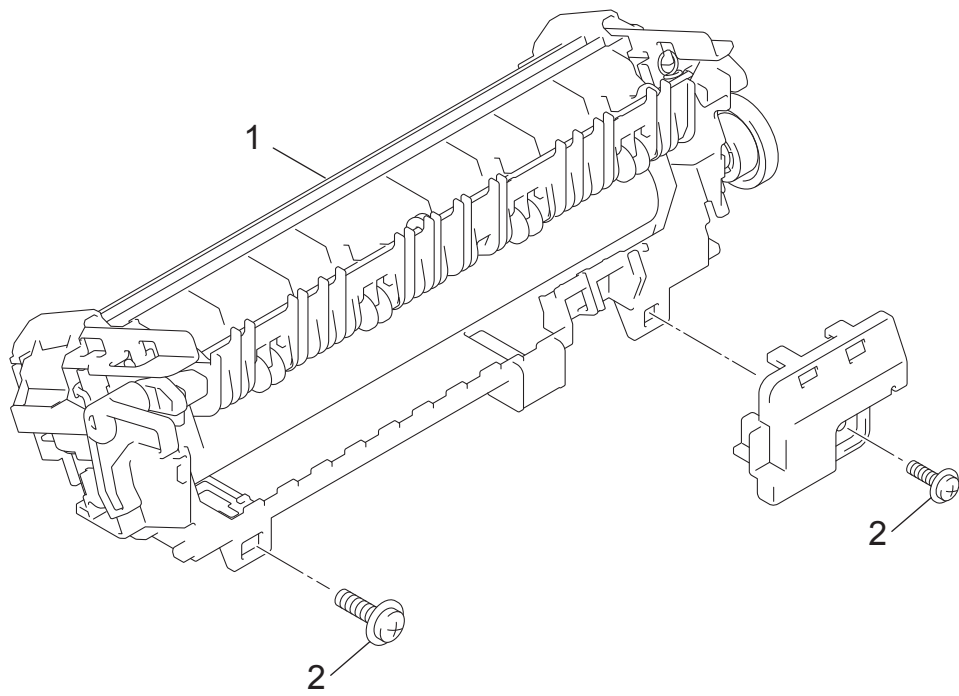
6. PAPER TRAY

REF No.	CODE	Q'TY	DESCRIPTION	REMARKS
1	LY5724001	1	PAPER TRAY 1 (250 sheets) (SP) EXCEPT FOR HL-6180DW/6180DWT/6182DW/6182DWT/6180DW GER TENDER	
1	LU9592001	1	PAPER TRAY 1 (500 sheets) (SP), HL-6180DW/6180DWT/6182DW/6182DWT/ 6180DW GER TENDER	CHG
1-1	LY4243001	1	GEAR Z22M10	
1-2	LY4242001	1	IDLE GEAR Z18M10*1	
1-2	LU9365001	1	IDLE GEAR 50 Z18M10*1	ADD
1-3	LY4241001	1	LIFT GEAR Z27M10 EXCEPT FOR HL-6180DW/6180DWT/6182DW/6182DWT/ 6180DW GER TENDER	
1-3	LY4516001	1	LIFT GEAR Z48M10, HL-6180DW/6180DWT/6182DW/6182DWT/6180DW GER TENDER	
1-4	LY2204001	1	PAPER REAR GUIDE, EXCEPT FOR HL-6180DW/6180DWT/6182DW/6182DWT/ 6180DW GER TENDER	ADD

*1 There are two types of IDLE GEAR you can order.

When you replace the idle gear, please refer to Parts Change Information:1000040666 because you need to know which idle gear on the above list should be attached to the machine.

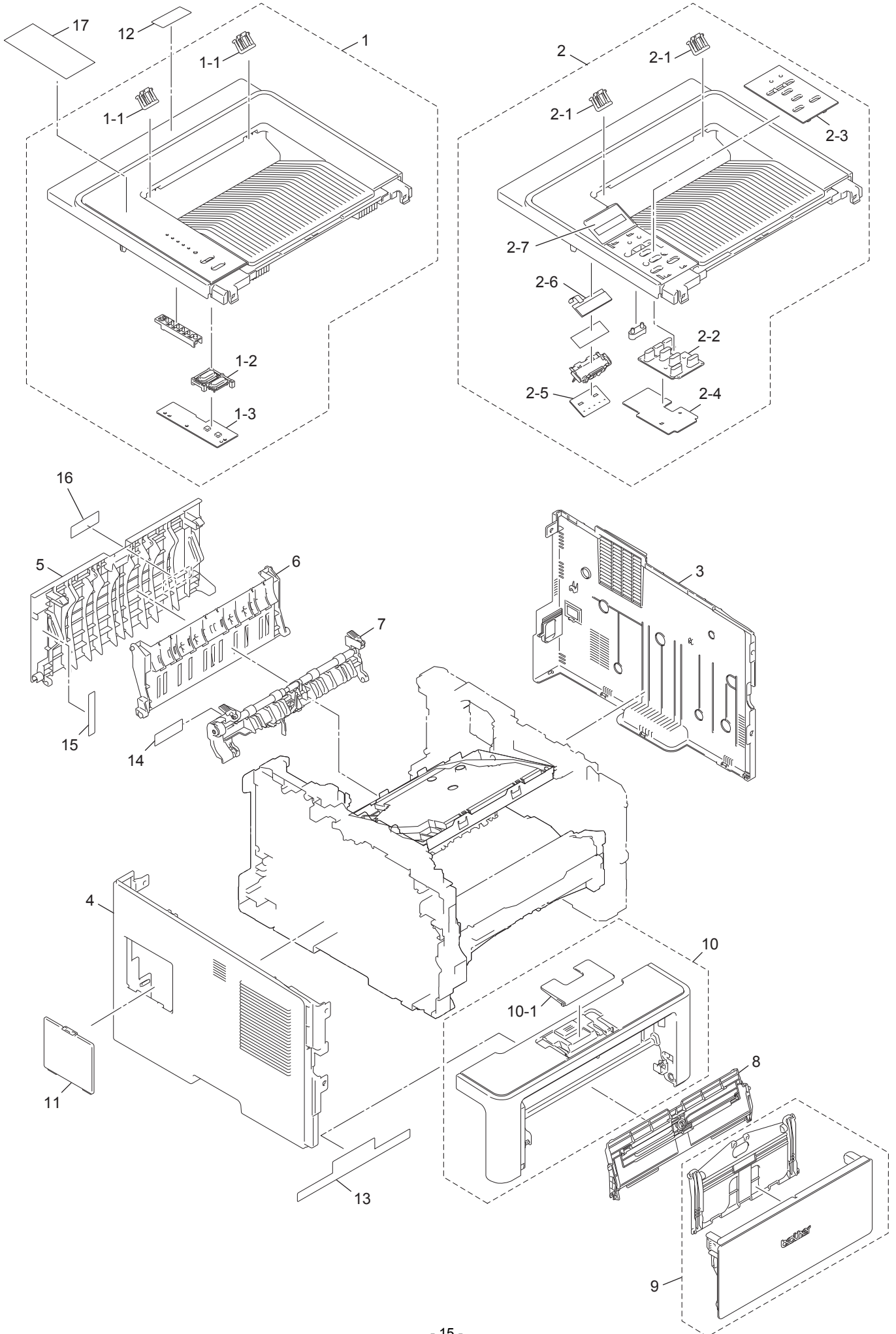
7. FUSER UNIT



7. FUSER UNIT

REF No.	CODE	Q'TY	DESCRIPTION	REMARKS
1	LU8568001	1	FUSER UNIT 115V (SP) EXCEPT FOR TWN/BRA	chg
1	LEJ628001	1	FUSER UNIT 115V (SP) FOR TWN	ADD
1	LJB693001	1	FUSER UNIT 115V (SP) FOR BRA	chg
1	LU8566001	1	FUSER UNIT 230V (SP) EXCEPT FOR GER/GER TENDER	chg
1	LU8567001	1	FUSER UNIT 230V (SP) FOR GER/GER TENDER	chg
(1-1)	D0019H001	1	FUSER FRONT CHUTE	chg
2	LJ0395001	2	TAPTITE PAN B M4X14	

8. COVERS & LABELS



8. COVERS & LABELS

REF No.	CODE	Q'TY	DESCRIPTION	REMARKS
1	LY5846001	1	TOP COVER ASSY (SP), HL-5440D/5450DN/5450DNT/5452DN EXCEPT FOR CHN	
1	LY5847001	1	TOP COVER ASSY (SP), HL-5440D/5450DN FOR CHN	
1	LY5847002	1	TOP COVER ASSY (SP), HL-5445D	
1-1	LU5292001	2	PAPER STACK LEVER, HL-5440D/5445D/5450DN/5450DNT/5452DN	
1-2	LY4183001	1	SW KEY PRINTED ASSY, HL-5440D/5450DN/5450DNT/5452DN	
1-2	LY4183002	1	SW KEY PRINTED ASSY, HL-5445D	
1-3	LV0793001	1	PANEL PCB ASSY, HL-5440D/5445D/5450DN/5450DNT/5452DN	
2	LY5695001	1	TOP COVER ASSY (SP), HL-5470DW/5470DWT FOR US/CAN/ARL/TWN/ARG/CHL/SGP	
2	LY5849001	1	TOP COVER ASSY (SP), HL-5470DW EXCEPT FOR US/CAN/ARL/TWN/ARG/CHL/GUL/SGP/KOR	
2	LY5850001	1	TOP COVER ASSY (SP), HL-6180DW/6180DWT FOR US/CAN/ARL/CHN/PHL/ARG/CHL/GUL/SGP/IND	
2	LU9834001	1	TOP COVER ASSY (SP), HL-6180DW FOR KOR	ADD
2	LY5851001	1	TOP COVER ASSY (SP), HL-6180DW/6180DWT/6180DW GER TENDER EXCEPT FOR US/CAN/ARL/CHN/PHL/ARG/CHL/GUL/SGP/KOR/IND	
2	LU9234001	1	TOP COVER ASSY (SP), HL-5470DW FOR TWN/GUL/SGP	
2	LU9833001	1	TOP COVER ASSY (SP), HL-5470DW FOR KOR	ADD
2	LU9037001	1	TOP COVER ASSY (SP), HL-5472DW/5472DWT	
2	LU9187001	1	TOP COVER ASSY (SP), HL-6182DW/6182DWT	
2-1	LU5292001	2	PAPER STACK LEVER, HL-5470DW/5470DWT/5472DW/5472DWT/6180DW/6180DWT/6182DW/6182DWT/ 6180DW GER TENDER	
2-2	LY4472001	1	RUBBER KEY PRINTED ASSY, HL-5470DW/5470DWT/5472DW/5472DWT/6182DW/6182DWT, HL-6180DW/6180DWT FOR US/CAN/ARL/CHN/PHL/ARG/CHL/GUL/SGP/KOR/IND	
2-2	LY4472002	1	RUBBER KEY PRINTED ASSY, HL-6180DW/6180DWT/6180DW GER TENDER EXCEPT FOR US/CAN/ARL/CHN/PHL/ARG/GUL/SGP/KOR/IND	
2-3	LY4470001	1	PANEL PRINTED ASSY, HL-5470DW/5470DWT/6180DW/6180DWT FOR US/CAN/ARL/CHN/PHL/TWN/ARG/CHL/GUL/SGP/KOR/IND, HL-5472DW/5472DWT/6182DW/6182DWT	
2-3	LY4642001	1	PANEL PRINTED ASSY, HL-5470DW EXCEPT FOR US/CAN/ARL/TWN/ARG/CHL/GUL/SGP/KOR	
2-3	LY4642002	1	PANEL PRINTED ASSY, HL-6180DW/6180DWT/6180DW GER TENDER EXCEPT FOR US/CAN/ARL/CHN/PHL/ARG/GUL/SGP/KOR/IND	
2-4	LV0809001	1	PANEL PCB ASSY, HL-5470DW/5470DWT/5472DW/5472DWT/6180DW/6180DWT/6182DW/6182DWT/ 6180DW GER TENDER	
2-5	LV0808001	1	BACKLIGHT PCB ASSY, HL-5470DW/5470DWT/5472DW/5472DWT/6180DW/6180DWT/6182DW/6182DWT/ 6180DW GER TENDER	
2-6	LV0308001	1	LCD, HL-5470DW/5470DWT/5472DW/5472DWT/6180DW/6180DWT/6182DW/6182DWT/ 6180DW GER TENDER	
2-7	LY4625001	1	LCD SHEET PRINTED ASSY, HL-6180DW/6180DWT FOR US/CAN/ARL/CHN/PHL/ARG/CHL/GUL/SGP/KOR/IND	
2-7	LY4625002	1	LCD SHEET PRINTED ASSY, HL-6180DW/6180DWT/6180DW GER TENDER EXCEPT FOR US/CAN/ARL/CHN/PHL/ARG/GUL/SGP/KOR/IND	
2-7	LY4683001	1	LCD SHEET PRINTED ASSY, HL-5470DW/5470DWT	
2-7	LY5350001	1	LCD SHEET PRINTED ASSY, HL-5472DW/5472DWT	
2-7	LY5349001	1	LCD SHEET PRINTED ASSY, HL-6182DW/6182DWT	
3	LY4178001	1	SIDE COVER R EXCEPT FOR HL-6180DW/6180DWT/6182DW/6182DWT/ 6180DW GER TENDER	
3	LY4465001	1	SIDE COVER R, HL-6180DW/6180DWT/6182DW/6182DWT/6180DW GER TENDER	
4	LY4623001	1	SIDE COVER L, HL-5440D/5445D	
4	LY4177001	1	SIDE COVER L, HL-5450DN/5450DNT/5452DN/5470DW/5470DWT/5472DW/5472DWT	
4	LY4464001	1	SIDE COVER L, HL-6180DW/6180DWT/6182DW/6182DWT/6180DW GER TENDER	
5	LY4176001	1	BACK COVER	
6	LY4175001	1	OUTER CHUTE	
7	LY4580001	1	FUSER COVER	
8	LY4174001	1	MP PAPER GUIDE ASSY	
9	LY5327001	1	MP COVER ASSY (SP)	
10	LY4164001	1	FRONT COVER ASSY, HL-5440D/5450DN/5450DNT/5470DW/5470DWT EXCEPT FOR CHN/PHL/TWN/SGP, HL-6180DW/6180DWT FOR US/CAN/ARL/ARG/CHL	
10	LY5287001	1	FRONT COVER ASSY, HL-5440D/5450DN/6180DW FOR CHN	
10	LY5287002	1	FRONT COVER ASSY, HL-5445D FOR CHN	
10	LY5684001	1	FRONT COVER ASSY, HL-5440D/5450DN/5470DW/6180DW FOR PHL/TWN/GUL/SGP/KOR/IND	
10	LY5972001	1	FRONT COVER ASSY FOR BRA	

HL-5440D/5445D/5450DN/
5450DNT/5452DN/5470DW/5470DWT/
5472DW/5472DWT/6180DW/6180DWT/
6182DW/6182DWT

84UD01/03/04/
05/06/17/18

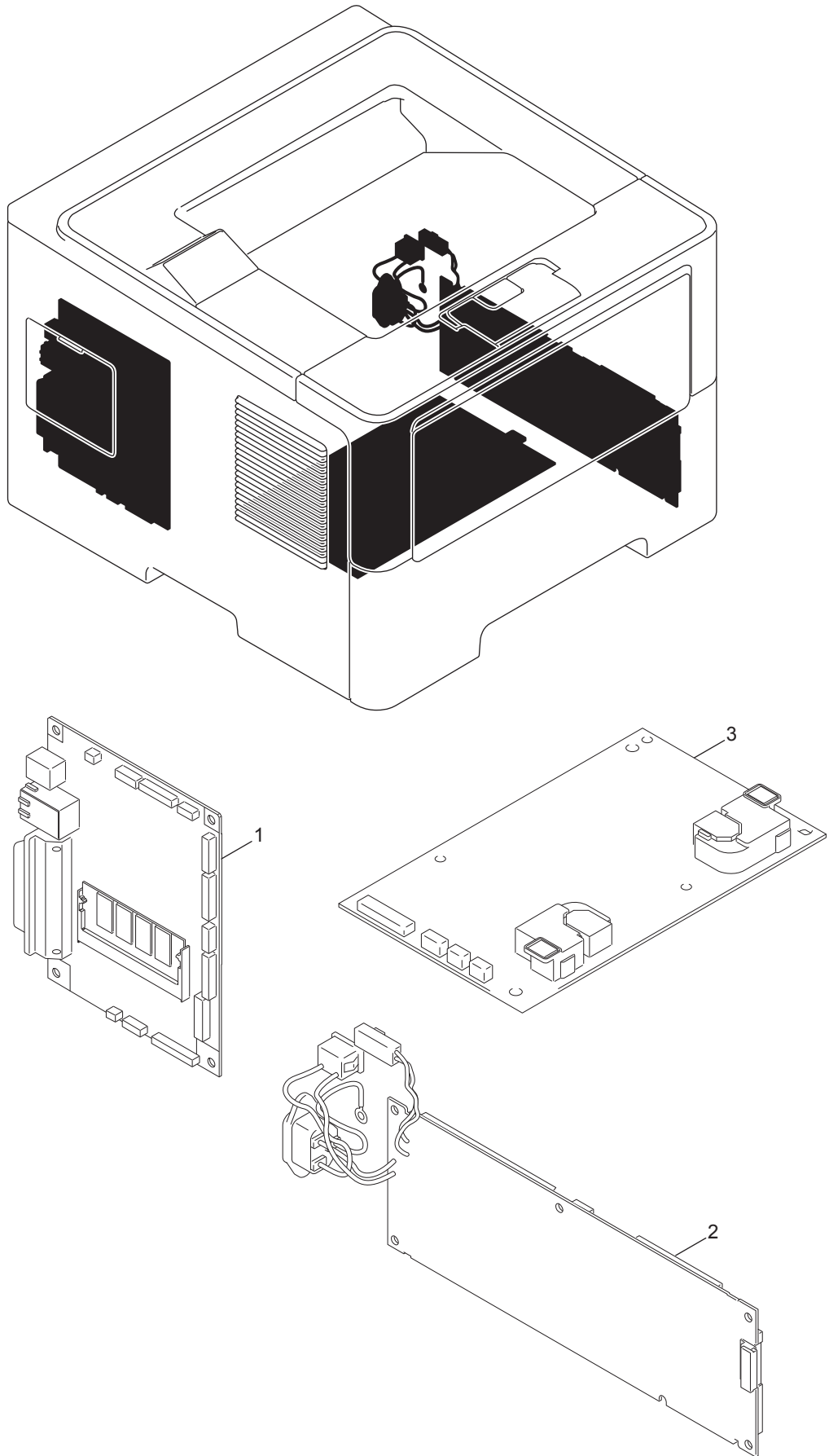
8. COVERS & LABELS

REF No.	CODE	Q'TY	DESCRIPTION	REMARKS
10	LY4164002	1	FRONT COVER ASSY, HL-6180DW/6180DWT/6180DW GER TENDER EXCEPT FOR US/CAN/ARL/CHN/PHL/ARG/GUL/SGP/KOR/IND	
10-1	LY4160001	1	PAPER STOPPER, HL5440D/5450DN/5450DNT/5452DN/5470DW/5470DWT/5472DW/5472DWT/6182DW/6182DWT, HL-6180DW/6180DWT FOR US/CAN/ARL/CHN/PHL/ARG/CHL/GUL/SGP/KOR/IND	
10-1	LY4160002	1	PAPER STOPPER, HL-5445D/6180DW GER TENDER, HL-6180DW/6180DWT EXCEPT FOR US/CAN/ARL/CHN/PHL/ARG/GUL/SGP/KOR/IND	
11	LY4463001	1	ACCESS COVER EXCEPT FOR HL-5440D/5445D	
12	LY4704001	1	MODEL PLATE, HL-5440D	
12	LY5254001	1	MODEL PLATE, HL-5445D	
12	LY4571001	1	MODEL PLATE, HL-5450DN/5450DNT	
12	LY5347001	1	MODEL PLATE, HL-5452DN	
13	LY4706001	1	LABEL PROCESS OP US LED 26X209, HL-5440D/5450DN FOR US/CAN/ARG/CHL	
13	LY4689001	1	LABEL PROCESS OP US 26X209, HL-5470DW/5470DWT FOR US/CAN/ARG/CHL	
13	LY4707001	1	LABEL PROCESS OP US FS 26X209, HL-6180DW/6180DWT FOR US/CAN/ARG/CHL	
13	LY4870001	1	LABEL PROCESS OP EU LED 26X209, HL-5440D/5450DN/5450DNT EXCEPT FOR US/CAN/CHN/ARG/CHL	
13	LY4573001	1	LABEL PROCESS OP EUR 26X209, HL-5470DW/6180DW/6180DWT/6180DW GER TENDER EXCEPT FOR US/CAN/CHN/ARG/CHL	
13	LY4869001	1	LABEL PROCESS OP CHN LED26X209, HL-5440D/5445D/5450DN FOR CHN	
13	LY5964001	1	LABEL PROCESS OP BR LED 26X209, HL-5452DN	
13	LY5966001	1	LABEL PROCESS OP BRZ 26X209, HL-5472DW/5472DWT	
13	LY4868001	1	LABEL PROCESS OP CHN 26X209, HL-6180DW FOR CHN	
13	LY5967001	1	LABEL PROCESS OP BRZ FS 26X209, HL-6182DW/6182DWT	
14	LY4690001	1	LABEL REAR JAM 17X55	
15	LY4574001	1	LABEL H CAUTION REAR 14X72	
16	LU9003001	1	LABEL AC CORD CAUTION FOR CHN	add
17	LY5258001	1	LED LABEL, HL-5440D/5450DN FOR ARL	add
17	LY5333001	1	LED LABEL, HL-5440D/5445D/5450DN FOR CHN	add
17	LY5257001	1	LED LABEL, HL-5440D/5450DN FOR PHL/TWN/GUL/SGP/KOR/IND	add

HL-5440D/5445D/5450DN/
5450DNT/5452DN/5470DW/5470DWT/
5472DW/5472DWT/6180DW/6180DWT/
6182DW/6182DWT

84UD01/03/04/
05/06/17/18

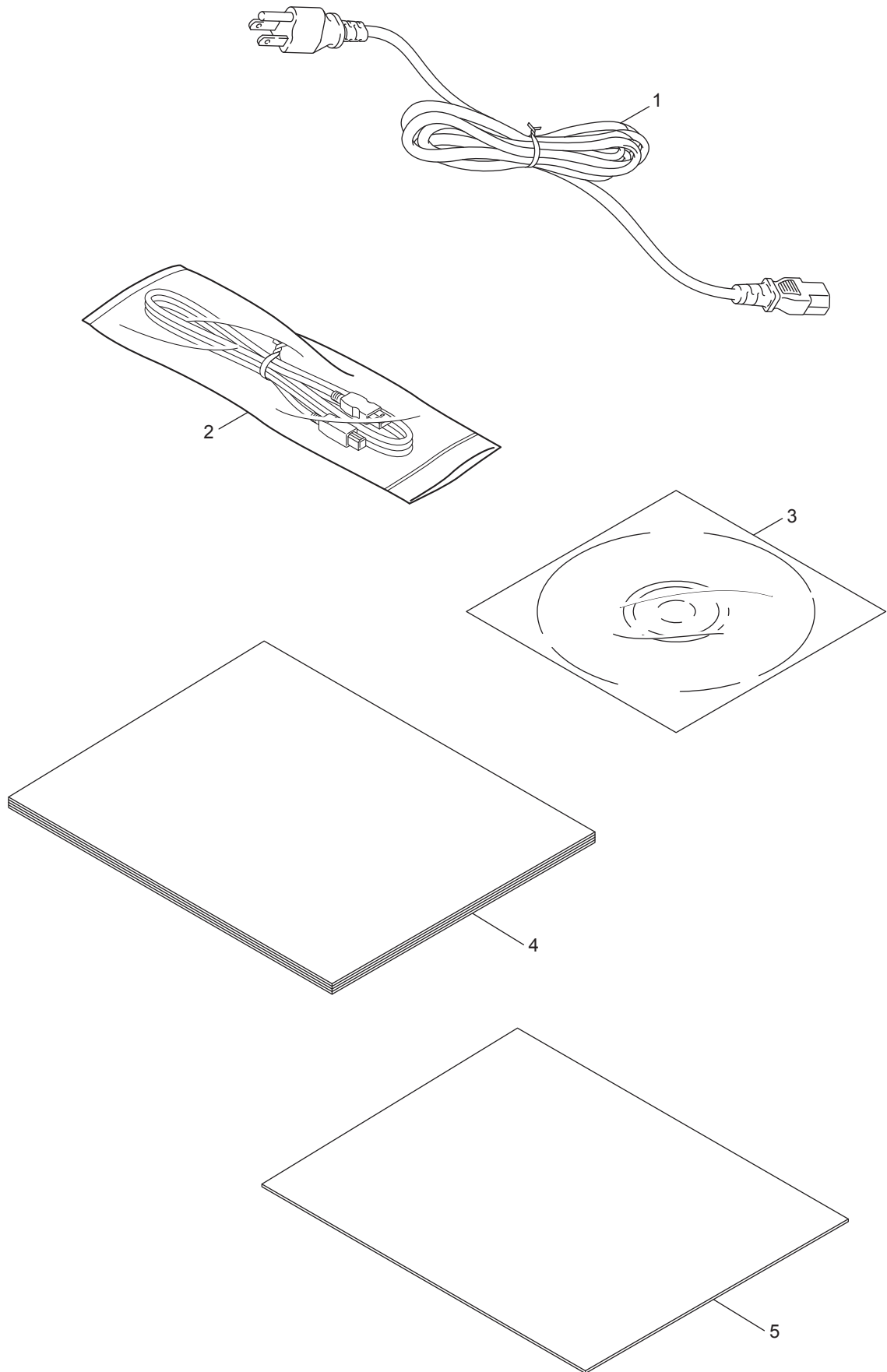
9. PCB



9. PCB

REF No.	CODE	Q'TY	DESCRIPTION	REMARKS
1	LV0838001	1	MAIN PCB ASSY, HL-5440D FOR US	
1	LV0838002	1	MAIN PCB ASSY, HL-5440D EXCEPT FOR US/CHN	
1	LV0838004	1	MAIN PCB ASSY, HL-5440D/5445D FOR CHN	
1	LV0795004	1	MAIN PCB ASSY, HL-5450DN FOR CHN	
1	LV0818004	1	MAIN PCB ASSY, HL-6180DW FOR CHN	
1	LV0795001	1	MAIN PCB ASSY, HL-5450DN/5450DNT/5452DN EXCEPT FOR CHN/KOR	
1	LV0795007	1	MAIN PCB ASSY, HL-5450DN FOR KOR	ADD
1	LV0818001	1	MAIN PCB ASSY, HL-6180DW/6180DWT/6182DW/6182DWT/6180DW GER TENDER EXCEPT FOR CHN/KOR	
1	LV0818007	1	MAIN PCB ASSY, HL-6180DW FOR KOR	ADD
1	LV0839007	1	MAIN PCB ASSY, HL-5470DW FOR KOR	
1	LV0839001	1	MAIN PCB ASSY, HL-5470DW/5470DWT/5472DW/5472DWT EXCEPT FOR KOR	
2	LV0802001	1	LOW-VOLTAGE POWER SUPPLY PCB ASSY, HL-5440D/5450DN/5452DN/5470DW/5470DWT/5472DW/5472DWT FOR US/CAN/TWN/BRA	
2	LV0982001	1	LOW-VOLTAGE POWER SUPPLY PCB ASSY, HL-6180DW/6180DWT FOR US/CAN, HL-6182DW/6182DWT	
2	LV0824001	1	LOW-VOLTAGE POWER SUPPLY PCB ASSY EXCEPT FOR US/CAN/CHN/TWN/BRA/IND/RUS	
2	LV0859001	1	LOW-VOLTAGE POWER SUPPLY PCB ASSY FOR CHN/IND/RUS	
3	LV0806001	1	HIGH-VOLTAGE POWER SUPPLY PCB ASSY	

10. ACCESSORIES



10. ACCESSORIES

REF No.	CODE	Q'TY	DESCRIPTION	REMARKS
1	LM9362001	1	AC CORD BAG ASSY LF UL/CSA 13A FOR US/CAN	
1	LV0364001	1	AC CORD BAG ASSY LF VDE S	
1	LV0368001	1	FOR GER/ITA/PHL/GUL/SGP/RUS/FRA/BEL/NLD/PND/IBR/CEE	
1	LV0366001	1	AC CORD BAG ASSY LF BS/PSB S FOR UK/GUL/SGP	
1	LT2259001	1	AC CORD BAG ASSY LF SAA S FOR ARL	
1	LV1093001	1	AC CORD BAG ASSY LF SEV FOR CHE	chg
1	LV0454001	1	AC CORD BAG ASSY LF CHN S FOR CHN	chg
1	LV0454001	1	AC CORD BAG ASSY LF TWN 13A FOR TWN	
1	LT0925001	1	AC CORD BAG ASSY LF IRAM FOR ARG	
1	LG6207001	1	AC CORD BAG ASSY LF CHILE FOR CHL	
1	LV0388001	1	AC CORD BAG ASSY LF PERU FOR CHL	add
1	LG6404001	1	AC CORD BAG ASSY LF SAF FOR GUL	
1	LT2346001	1	AC CORD BAG ASSY LF BRZ FOR BRA	
1	LT0935001	1	AC CORD BAG ASSY LF KOR S FOR KOR	chg
1	LT0613001	1	AC CORD BAG ASSY LF IND FOR IND	
1	LG4720001	1	AC CORD BAG ASSY LF DEMKO FOR PND	
2	LJ9803001	1	USB CABLE 2.0	
2	LV1518004	4	USB CABLE 2.0 FOR KOR	DEL
3	LU9083001	1	CD ASSY, HL-5440D/5450DN/5450DNT/5452DN FOR US/CAN/GER/UK/FRA/BEL/HOL/CHE/ITA/BRA/PND/IBR	chg
3	LU9085001	1	CD ASSY, HL-5470DW/5470DWT/5472DW/5472DWT/6182DW/6182DWT FOR US/CAN/GER/UK/FRA/BEL/HOL/CHE/ITA/BRA/PND/IBR, HL-6180DW/6180DWT/6180DW GER TENDER FOR CAN/GER/UK/CHE/ITA/IBE/FRA/BEL/HOL/PND	chg
3	LU9087001	1	CD ASSY, HL-6180DW/6180DWT FOR US	chg
3	LU9084001	1	CD ASSY, HL-5450DN FOR ARG/CHL	add
3	LU9086001	1	CD ASSY, HL-5470DW/6180DW FOR ARG/CHL	add
3	LU9089001	1	CD ASSY FOR ARL/PHL/RUS/CEE	chg
3	LU9094001	1	CD ASSY FOR CHN	chg
3	LU9093001	1	CD ASSY FOR TWN	chg
3	LU9097001	1	CD ASSY FOR GUL/SGP/IND	chg
3	LU9095001	1	CD ASSY FOR KOR	
3	LY4607004	4	CD ASSY, HL-5450DNT	del
3	LY4796004	4	CD ASSY, HL-5470DWT, HL-6180DWT EXCEPT FOR US	del
3	LY4798004	4	CD ASSY, HL-6180DWT FOR US	del
4	LY4880001	1	SETUP GUIDE, HL-5440D/5450DN/5450DNT FOR US/CAN/UK/ARL/PHL/GUL/SGP/IND/CEE (ENGLISH)	
4	LY4879001	1	SETUP GUIDE, HL-5470DW/5470DWT/6180DW/6180DWT FOR US/CAN/UK/ARL/PHL/GUL/SGP/IND (ENGLISH)	
4	LY4882001	1	SETUP GUIDE, HL-5450DN FOR CAN (FRENCH)	
4	LY4881001	1	SETUP GUIDE, HL-5470DW/6180DW FOR CAN (FRENCH)	
4	LY4886001	1	SETUP GUIDE, HL-5440D/5450DN/5450DNT FOR GER/CHE (GERMAN)	
4	LY4885001	1	SETUP GUIDE, HL-5470DW/6180DW/6180DWT/6180DW GER TENDER FOR GER/CHE (GERMAN)	
4	LY4888001	1	SETUP GUIDE, HL-5440D/5450DN/5450DNT FOR CHE/FRA/BEL/NLD (FRENCH)	
4	LY4887001	1	SETUP GUIDE, HL-5470DW/6180DW/6180DWT FOR CHE/FRA/BEL/NLD (FRENCH)	
4	LY4890001	1	SETUP GUIDE, HL-5440D/5450DN/5450DNT FOR CHE/ITA (ITALIAN)	
4	LY4889001	1	SETUP GUIDE, HL-5470DW/6180DW/6180DWT FOR CHE/ITA/IBR (ITALIAN)	
4	LY4891001	1	SETUP GUIDE, HL-5470DW/6180DW/6180DWT FOR ITA/IBR/ARG/CHL (SPANISH)	
4	LY4893001	1	SETUP GUIDE, HL-5470DW/6180DW/6180DWT FOR ITA/IBR (PORTUGUESE)	
4	LY4923001	1	SETUP GUIDE, HL-5440D/5445D/5450DN FOR CHN	
4	LY4922001	1	SETUP GUIDE, HL-6180DW FOR CHN	
4	LY4925001	1	SETUP GUIDE, HL-5450DN FOR TWN	
4	LY4924001	1	SETUP GUIDE, HL-5470DW FOR TWN	
4	LY4892001	1	SETUP GUIDE, HL-5440D/5450DN/5450DNT FOR ARG/CHL/IBR (SPANISH)	
4	LY4912001	1	SETUP GUIDE, HL-5440D/5450DN FOR GUL (TURKISH)	
4	LY4914001	1	SETUP GUIDE, HL-5440D/5450DN FOR GUL (ARABIC)	
4	LY4913001	1	SETUP GUIDE, HL-5470DW/6180DW FOR GUL (ARABIC)	
4	LU9044001	1	SETUP GUIDE, HL-5450D/5450DN FOR SGP (INDONESIAN)	add
4	LU9045001	1	SETUP GUIDE, HL-5450D/5450DN FOR SGP (THAI)	add
4	LU9046001	1	SETUP GUIDE, HL-5450D/5450DN FOR SGP (VIETNAMESE)	add
4	LU9043001	1	SETUP GUIDE, HL-5470DW/6180DW FOR SGP (INDONESIAN/THAI)	add
4	LY4921001	1	SETUP GUIDE, HL-5450DN FOR KOR	
4	LY4920001	1	SETUP GUIDE, HL-5470DW/6180DW FOR KOR	
4	LY4906001	1	SETUP GUIDE, HL-5440D/5450DN FOR RUS	
4	LY4905001	1	SETUP GUIDE, HL-5470DW/6180DW FOR RUS	
4	LY4896001	1	SETUP GUIDE, HL-5440D/5450DN/5450DNT FOR FRA/BEL/NLD (DUTCH)	
4	LY4895001	1	SETUP GUIDE, HL-5470DW/6180DW/6180DWT FOR FRA/BEL/NLD (DUTCH)	
4	LY4902001	1	SETUP GUIDE, HL-5440D/5450DN/5450DNT FOR PND (NORWEGIAN)	

HL-5440D/5445D/5450DN/
5450DNT/5452DN/5470DW/5470DWT/
5472DW/5472DWT/6180DW/6180DWT/
6182DW/6182DWT

84UD01/03/04/
05/06/17/18

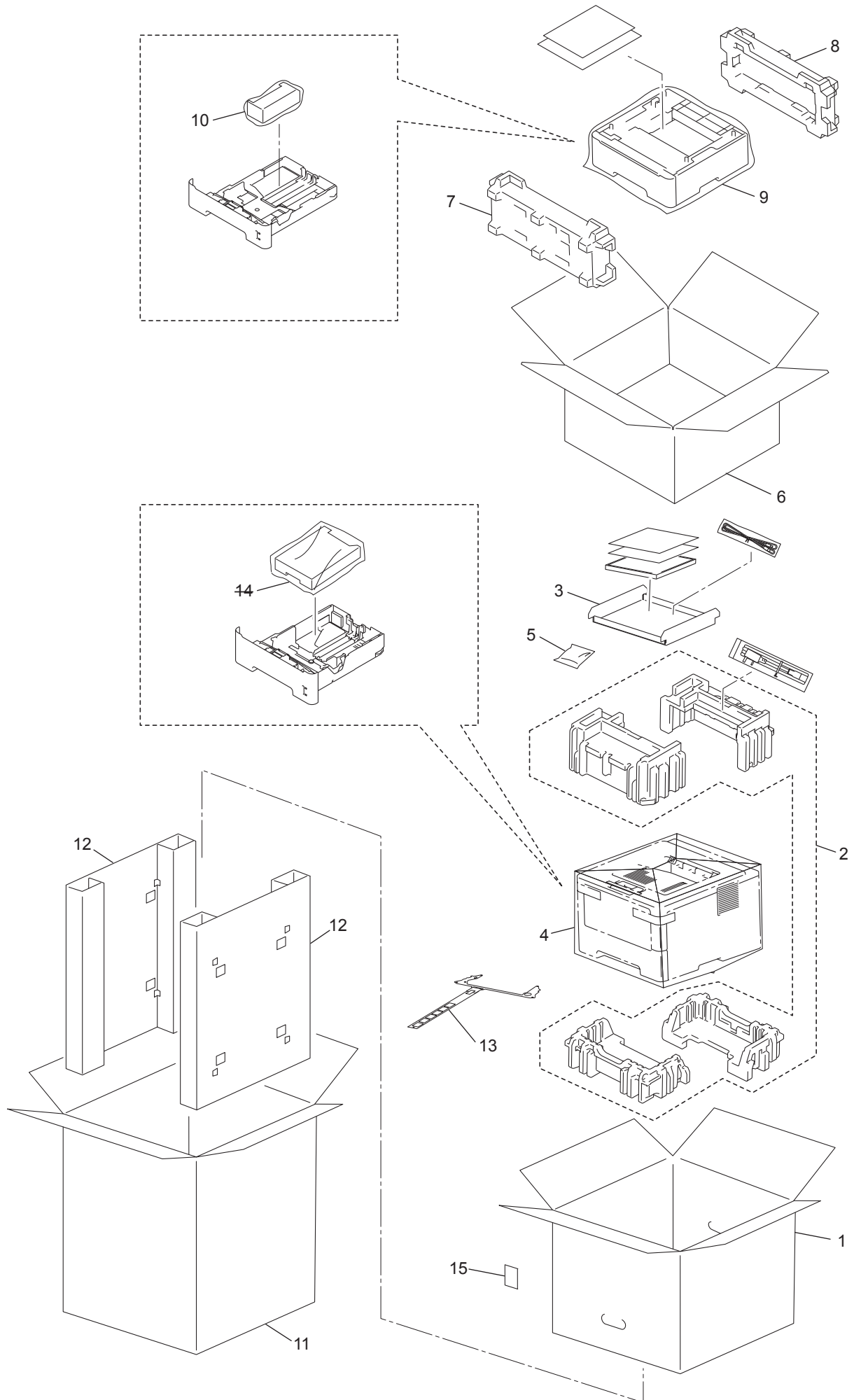
10. ACCESSORIES

REF No.	CODE	Q'TY	DESCRIPTION	REMARKS
4	LY4901001	1	SETUP GUIDE, HL-5470DW/6180DW/6180DWT FOR PND (NORWEGIAN)	
4	LY4904001	1	SETUP GUIDE, HL-5440D/5450DN/5450DNT FOR PND (SWEDISH)	
4	LY4903001	1	SETUP GUIDE, HL-5470DW/6180DW/6180DWT FOR PND (SWEDISH)	
4	LY4898001	1	SETUP GUIDE, HL-5440D/5450DN/5450DNT FOR PND (FINNISH)	
4	LY4897001	1	SETUP GUIDE, HL-5470DW/6180DW/6180DWT FOR PND (FINNISH)	
4	LY4900001	1	SETUP GUIDE, HL-5440D/5450DN/5450DNT FOR PND (DANISH)	
4	LY4899001	1	SETUP GUIDE, HL-5470DW/6180DW/6180DWT FOR PND (DANISH)	
4	LY4894001	1	SETUP GUIDE, HL-5440D/5450DN/5450DNT FOR IBR (PORTUGUESE)	
4	LY4911001	1	SETUP GUIDE, HL-5440D/5450DN FOR CEE (ROMANIAN/SLOVAK)	
4	LY4910001	1	SETUP GUIDE, HL-5440D/5450DN FOR CEE (POLISH/BULGARIAN)	
4	LY4909001	1	SETUP GUIDE, HL-5440D/5450DN FOR CEE (CZECH/HUNGARIAN)	
4	LY4907001	1	SETUP GUIDE, HL-5470DW/6180DW FOR CEE (ENGLISH/CZECH/HUNGARIAN/POLISH)	
4	LY4908001	1	SETUP GUIDE, HL-5470DW/6180DW FOR CEE (BULGARIAN/ROMANIAN/SLOVAK)	
4	LY5965001	1	SETUP GUIDE, HL-5452DN	
4	LY4883001	1	SETUP GUIDE, HL-5472DW/5472DWT/6182DW/6182DWT	
5	LY4862001	1	SETUP GUIDE LT, HL-5450DNT/5470DWT/6180DWT/6182DWT	

84UD01/03/04/
05/06/17/18

HL-5440D/5445D/5450DN/
5450DNT/5452DN/5470DW/5470DWT/
5472DW/5472DWT/6180DW/6180DWT/
6182DW/6182DWT

11. PACKING MATERIALS



11. PACKING MATERIALS

REF No.	CODE	Q'TY	DESCRIPTION	REMARKS
1	LY4152001	1	CARTON CN, HL-5440D FOR US	
1	LY5506001	1	CARTON VN, HL-5440D FOR US	
1	LY4985001	1	CARTON CN, HL-5450DN FOR US	
1	LY5507001	1	CARTON VN, HL-5450DN FOR US	
1	LY5120001	1	CARTON CN, HL-5470DW FOR US	
1	LU8626001	1	CARTON VN, HL-5470DW FOR US	add
1	LY5374001	1	CARTON VN, HL-5470DW/5470DWT FOR US	
1	LY5167001	1	CARTON CN, HL-6180DW FOR US	chg
1	LU8624001	1	CARTON VN, HL-6180DW FOR US	add
1	LY5522001	1	CARTON VN, HL-6180DW/6180DWT FOR US	
1	LY5099001	1	CARTON CN, HL-5450DN FOR CAN	
1	LU9716001	1	CARTON VN, HL-5450DN FOR CAN	chg
1	LY5135001	1	CARTON CN, HL-5470DW FOR CAN	
1	LU9715001	1	CARTON VN, HL-5470DW FOR CAN	chg
1	LY5171001	1	CARTON CN, HL-6180DW FOR CAN	
1	LU9717001	1	CARTON VN, HL-6180DW FOR CAN	chg
1	LY5054001	1	CARTON CN, HL-5440D EXCEPT FOR US/ARL/CHN/SGP	
1	LY5515001	1	CARTON VN, HL-5440D EXCEPT FOR US/ARL/CHN/SGP	add
1	LY5371001	1	CARTON, HL-5450DNT	chg
4	LY5190004	4	CARTON CN, HL-5440D FOR ARL	del
1	LY5525001	1	CARTON VN, HL-5440D FOR ARL	
4	LY5193004	4	CARTON CN, HL-5450DN FOR ARL	del
1	LY5526001	1	CARTON VN, HL-5450DN FOR ARL	
4	LY5196004	4	CARTON CN, HL-5470DW FOR ARL	del
1	LY5527001	1	CARTON VN, HL-5470DW FOR ARL	
4	LY5197004	4	CARTON CN, HL-6180DW FOR ARL	del
1	LY5528001	1	CARTON VN, HL-6180DW FOR ARL	
1	LY5346001	1	CARTON, HL-5440D FOR CHN	
1	LY5314001	1	CARTON, HL-5445D FOR CHN	
1	LY5323001	1	CARTON, HL-5450DN FOR CHN	
1	LY5338001	1	CARTON, HL-6180DW FOR CHN	
4	LY5577004	4	CARTON CN, HL-5450DN FOR PHL/SGP	del
1	LY5581001	1	CARTON VN, HL-5450DN FOR PHL/TWN/GUL/SGP/KOR/IND	
4	LY5579004	4	CARTON CN, HL-6180DW FOR PHL/SGP	del
1	LY5583001	1	CARTON VN, HL-6180DW FOR PHL/GUL/SGP/KOR/IND	
1	LY5145001	1	CARTON, HL-5450DN FOR ARG/CHL	
1	LY5141001	1	CARTON, HL-5470DW FOR ARG/CHL	
1	LY5172001	1	CARTON, HL-6180DW FOR ARG	
1	LU9710001	1	CARTON, HL-6180DW FOR CHL	
4	LY5576004	4	CARTON CN, HL-5440D FOR SGP	del
1	LY5580001	1	CARTON VN, HL-5440D FOR GUL/SGP/IND	
4	LY5578004	4	CARTON CN, HL-5470DW FOR SGP	del
1	LY5582001	1	CARTON VN, HL-5470DW FOR TWN/GUL/SGP/KOR	
1	LY5095001	1	CARTON CN, HL-5450DN EXCEPT FOR US/CAN/ARL/CHN/PHL/TWN/ARG/CHL/SGP	
1	LY5503001	1	CARTON VN, HL-5450DN FOR GER/UK/CHE/ITA/RUS/FRA/BEL/NLD/PND/IBR/CEE	chg
1	LY5124001	1	CARTON CN, HL-5470DW EXCEPT FOR US/CAN/ARL/SGP	
1	LY5517001	1	CARTON VN, HL-5470DW FOR GER/UK/CHE/ITA/RUS/FRA/BEL/NLD/PND/IBR/CEE	chg
1	LY5162001	1	CARTON CN, HL-6180DW EXCEPT FOR US/CAN/ARL/CHN/PHL/ARG/SGP	
1	LY5519001	1	CARTON VN, HL-6180DW/6180DWT/6180DW GER TENDER FOR GER/UK/CHE/ITA/RUS/FRA/BEL/NLD/PND/IBR/CEE	chg
1	LY5489001	1	CARTON, HL-5452DN	
1	LU9025001	1	CARTON, HL-5472DW/5472DWT	
1	LY5494001	1	CARTON, HL-6182DW/6182DWT	
2	LY4635001	1	POLYSTYRENE PAD ASSY	
3	LY4640004	4	OPTION CARTON	del
3	LY4640001	1	OPTION CARTON FOR GUL	add
4	LEA703001	1	BAG 800X900 800X750	chg
5	LY3886001	1	SILICA GEL FOR US/CAN/ARG/CHL/BRA	
5	LY3887001	1	SILICA GEL EXCEPT FOR US/CAN/ARG/CHL/BRA	
6	LY4864001	1	CARTON LT-5400, HL-5450DNT/5470DWT/5472DWT/6180DWT/6182DWT	
7	LY5186001	1	STYROFOAM PAD F BL-LT, HL-5450DNT/5470DWT/5472DWT/6180DWT/6182DWT	
8	LY5187001	1	STYROFOAM PAD R BL-LT, HL-5450DNT/5470DWT/5472DWT/6180DWT/6182DWT	
9	LY2688001	1	BAG 600X650, HL-5450DNT/5470DWT/5472DWT/6180DWT/6182DWT/6180DW GER TENDER	
10	LU8637001	1	PAPER TRAY HOLD PAD S ASSY (SP), HL-5450DNT/5470DWT/5472DWT/6180DWT/6182DWT	chg
11	LY5161001	1	CARTON OUTER, HL-5450DNT	chg
11	LY5359001	1	CARTON OUTER, HL-5470DWT	
11	LU9028001	1	CARTON OUTER, HL-5472DWT	

HL-5440D/5445D/5450DN/
5450DNT/5452DN/5470DW/5470DWT/
5472DW/5472DWT/6180DW/6180DWT/
6182DW/6182DWT

84UD01/03/04/
05/06/17/18

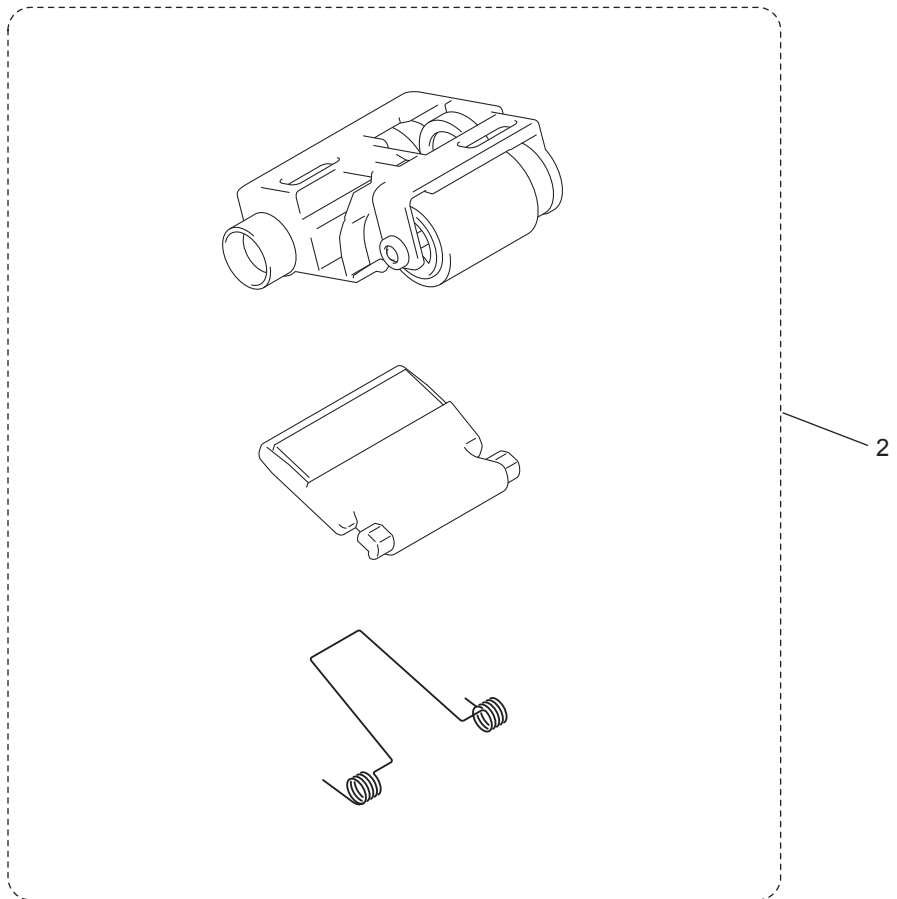
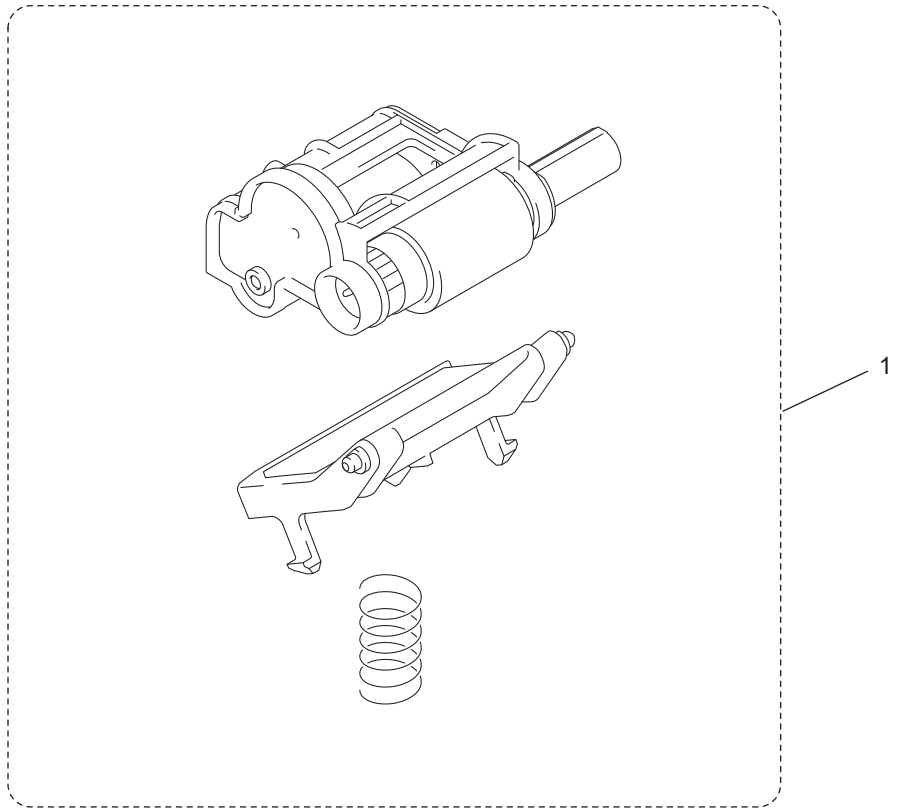
11. PACKING MATERIALS

REF No.	CODE	Q'TY	DESCRIPTION	REMARKS
11	LY5524001	1	CARTON OUTER, HL-6180DW FOR US	
11	LY5461001	1	CARTON OUTER, HL-6180DWT EXCEPT FOR US	chg
11	LY5495001	1	CARTON OUTER, HL-6182DWT	
12	LY4766001	2	CARTON SPACER, HL-5450DNT/5470DWT/5472DWT	
12	LY4648001	2	CARTON SPACER, HL-6180DWT/6182DWT	
13	LY5766001	1	PROTECTIVE MATERIAL ASSY (SP)	add
44	LY5822004	4	PAPER TRAY HOLD PAD 50 ASSY (SP), HL-6180DW/6180DWT/6182DW/6182DWT	del
15	LU9963001	1	CHINA ENERGY LABEL, HL-5440D FOR CHN	chg
15	LU9964001	1	CHINA ENERGY LABEL, HL-5445D FOR CHN	chg
15	LU9965001	1	CHINA ENERGY LABEL, HL-5450DN FOR CHN	chg
15	LU9966001	1	CHINA ENERGY LABEL, HL-6180DW FOR CHN	chg
(16)	LY5755001	1	CARTON LABEL, HL-5450DN FOR TWN	ADD
(16)	LY5801001	1	CARTON LABEL, HL-5470DW FOR TWN	ADD

84UD01/03/04/
05/06/17/18

HL-5440D/5445D/5450DN/
5450DNT/5452DN/5470DW/5470DWT/
5472DW/5472DWT/6180DW/6180DWT/
6182DW/6182DWT

12. PERIODICAL MAINTENANCE PARTS



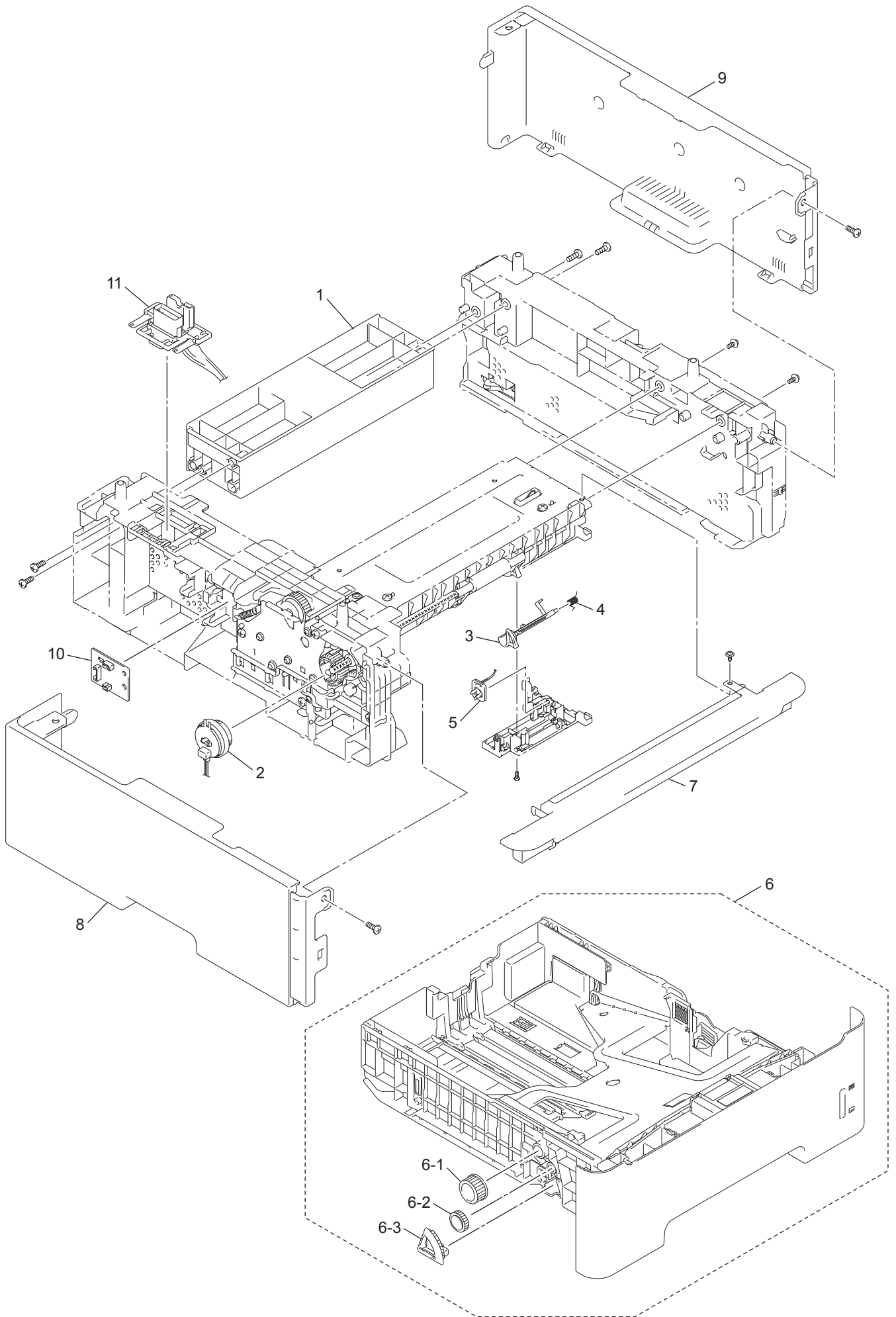
12. PERIODICAL MAITENANCE PARTS

REF No.	CODE	Q'TY	DESCRIPTION	REMARKS
1	LU9244001	1	PAPER FEEDING KIT 1/2 (SP)	CHG
2	LY5385001	1	MP PAPER FEEDING KIT (SP)	

84UD01/03/04/
05/06/17/18

HL-5440D/5445D/5450DN/
5450DNT/5452DN/5470DW/5470DWT/
5472DW/5472DWT/6180DW/6180DWT/
6182DW/6182DWT

13. LOWER TRAY



13. LOWER TRAY

REF No.	CODE	Q'TY	DESCRIPTION	REMARKS
1	LY4534001	1	T2 BACK COVER, HL-5450DNT/5470DWT/5472DWT/6180DWT/6182DWT	
2	LY4335001	1	T2 CLUTCH, HL-5450DNT/5470DWT/5472DWT/6180DWT/6182DWT	
3	LY4562001	1	T2 PAPER FEED ACTUATOR, HL-5450DNT/5470DWT/5472DWT/6180DWT/6182DWT	
4	LY4561001	1	T2 PAPER FEED ACTUATOR SPRING, HL-5450DNT/5470DWT/5472DWT/6180DWT/6182DWT	
5	LV0812001	1	T2 PAPER FEED SENSOR PCB ASSY, HL-5450DNT/5470DWT/5472DWT/6180DWT/6182DWT	
6	LU9600001	1	PAPER TRAY 2 (SP), HL-5450DNT/5470DWT/5472DWT/6180DWT/6182DWT	CHG
6-1	LY4243001	1	GEAR Z22M10, HL-5450DNT/5470DWT/5472DWT/6180DWT/6182DWT	
6-2	LY4242001	1	IDLE GEAR Z18M10, HL-5450DNT/5470DWT/5472DWT/6180DWT/6182DWT*1	
6-2	LU9365001	1	IDLE GEAR 50 Z18M10, HL-5450DNT/5470DWT/5472DWT/6180DWT/6182DWT*1	ADD
6-3	LY4516001	1	LIFT GEAR Z48M10, HL-5450DNT/5470DWT/5472DWT/6180DWT/6182DWT	
7	LY4533001	1	T2 FRONT COVER ASSY, HL-5450DNT/5470DWT/5472DWT/6180DWT/6182DWT	
8	LY4530001	1	T2 SIDE COVER L, HL-5450DNT/5470DWT/5472DWT/6180DWT/6182DWT	
9	LY4529001	1	T2 SIDE COVER R, HL-5450DNT/5470DWT/5472DWT/6180DWT/6182DWT	
10	LV0814001	1	T2 RELAY PCB ASSY, HL-5450DNT/5470DWT/5472DWT/6180DWT/6182DWT	
11	LY5498001	1	LT CONNECTOR ASSY (T2), HL-5450DNT/5470DWT/5472DWT/6180DWT/6182DWT	

*1 There are two types of IDLE GEAR you can order.
When you replace the idle gear, please refer to Parts Change Information:1000040666 because you need to know which idle gear on the above list should be attached to the machine.