



Home Sewing Machine

PARTS REFERENCE LIST

**MODEL: XL6040/XL6041/XL6042/XL6043
XL6050/XL6051/XL6052/XL6053
XL6053NTP
XL6060/XL6061/XL6062/XL6062NTP
XL6063/XL6063NTP
XL6452/XL6562
XR52C/XR65T**

CONFIDENTIAL

Copyright © 2010 Brother Industries, Ltd.
All rights reserved.

Published: Jun.,2005
Revised: Nov.,2010

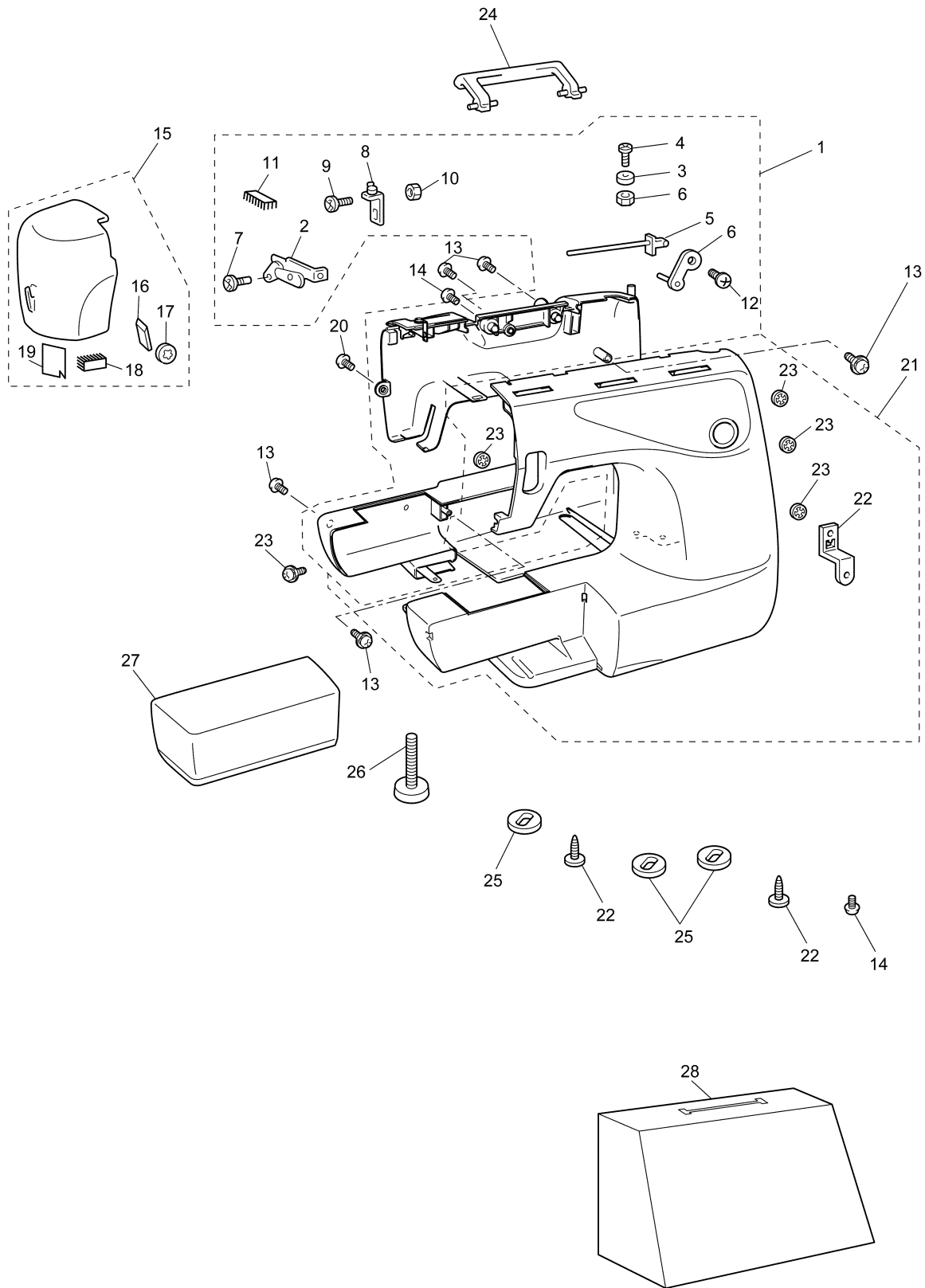
CONTENTS

(1) PRINCIPAL PARTS	2
(2) UPPER SHAFT AND NEEDLE BAR	4
(3) FEED MECHANISM AND SHUTTLE HOOK.....	8
(4) ZIGZAG, BH MECHANISM AND PATTERN SELECTION.....	10
(5) THREAD GUARD MECHANISM, LAMP MECHANISM	12
(6) MOTOR UNIT.....	14
(7) ATTACHEMENTS.....	16

Note on parts:

We keep performance parts for this sewing machine for at least 8 years after this model is discontinued. Performance parts are the necessary parts to maintain the function of the sewing machine.

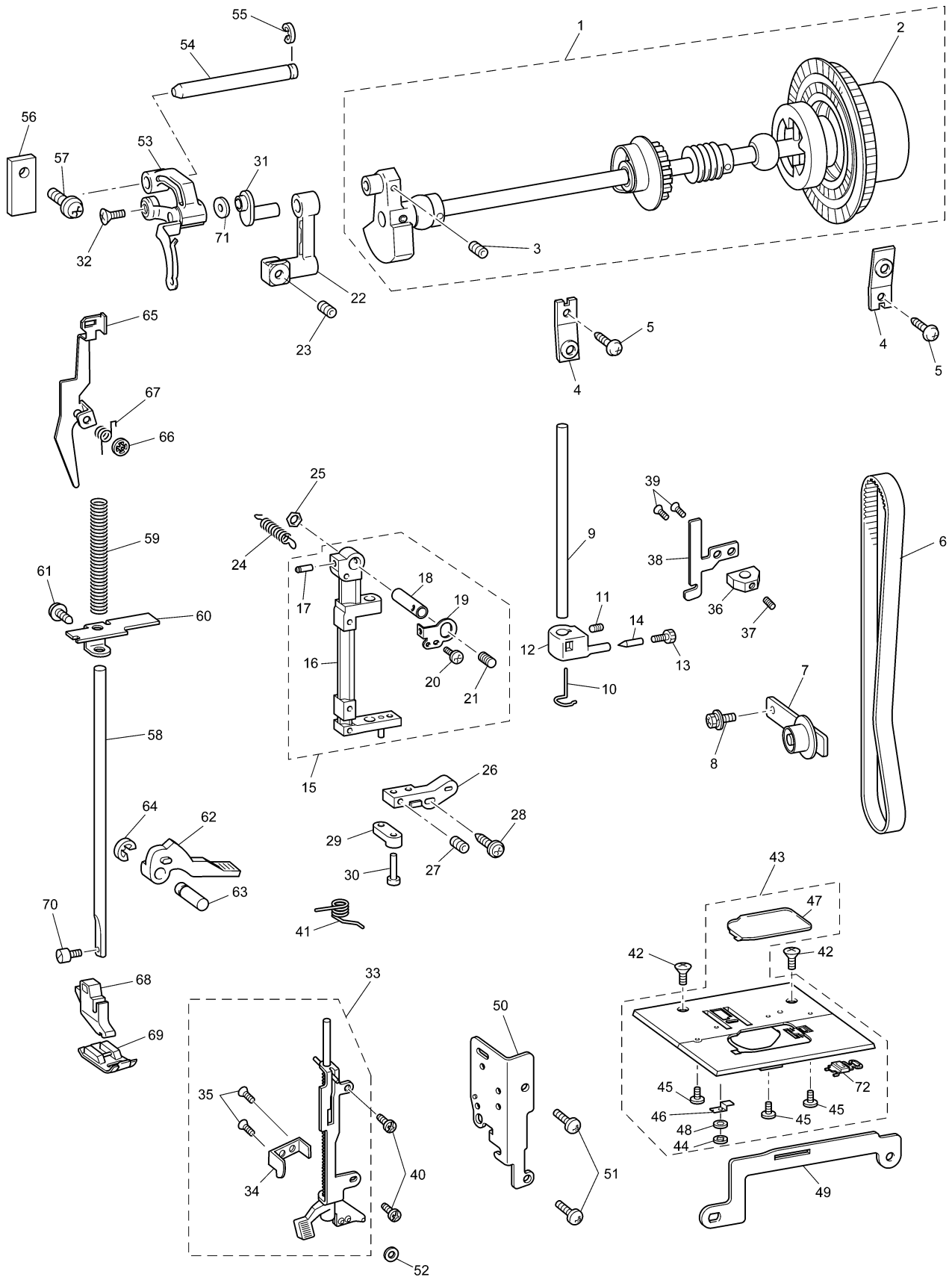
(1) PRINCIPAL PARTS



(1) PRINCIPAL PARTS

No.	CODE	NAME	REMARKS	No.	CODE	NAME	REMARKS
1	XC0844021	REAR COVER ASSEMBLY		24	X59101122	CARRYING HANDLE	
2	X59862051	THREAD GUIDE ASSY		25	XA7930021	BASE FOOT RUBBER	
3	XE8912001	BOBBIN PRESSER	1000020010	26	XA8611021	ADJUST SCREW ASSEMBLY	
4	0A4302006	SCREW PAN (S/P WASHER) M3X20		27	XC0651121	ACCESSORY TABLE ASSEMBLY	
5	X59053022	SPOOL PIN		28	X52769756	CASE ASSEMBLY (XL6040:KOR, XL6050:KOR, XL6060:KOR, XR52C)	1000004089
6	XA7273021	SPOOL PIN HOLDER ASSEMBLY					
7	138433021	TAPTITE, PAN B M3X6					
8	X59226121	BOBBIN WINDER GUIDE ASSY					
9	X59642021	SCREW					
10	021300106	NUT 1 M3					
11	X52654001	PILE 19X5X6	1000014431				
12	136681021	TAPTITE, BIND B M3X8					
13	XA3337022	TAPTITE CUP P M4X20					
14	060401216	SCREW, BIND M4X12					
15	XC0767021	FACE PLATE ASSY					
16	X80321021	NT LOWER THREAD CUTTER					
17	138384051	RETAINING RING, CS5					
18	XA6661021	PILE					
19	XA4468021	REAR COVER REFLECTOR	060040				
20	XC7568051	SCREW, PAN (S/P WASHER) M4X14	1000000866				
21	XC0770023	FRONT COVER ASSEMBLY (XL6042)					
	XC0770024	FRONT COVER ASSEMBLY (XL6043)					
	XC0770022	FRONT COVER ASSEMBLY (XL6041)					
	XC0770021	FRONT COVER ASSEMBLY (XL6040)					
	XC0769027	FRONT COVER ASSEMBLY (XL6052)					
	XC0769026	FRONT COVER ASSEMBLY (XL6051)					
	XC0769022	FRONT COVER ASSEMBLY (XL6050)					
	XC0769028	FRONT COVER ASSEMBLY (XL6053, XL6053NTP)					
	XC0769023	FRONT COVER ASSEMBLY (XL6061)					
	XC0769024	FRONT COVER ASSEMBLY (XL6062, XL6062NTP)					
	XC0769021	FRONT COVER ASSEMBLY (XL6060, XL6063:SIN)					
	XC0769025	FRONT COVER ASSEMBLY (XL6063:FRA, XL6063NTP, XL6060:SIN)					
	XC0763022	FRONT COVER ASSEMBLY (XL6452)					
	XC0763024	FRONT COVER ASSEMBLY (XR52C)					
	XC0763025	FRONT COVER ASSEMBLY (XR65T)					
	XC0763021	FRONT COVER ASSEMBLY (XL6562)					
22	085411015	TAPTITE BIND B M4X10					
23	053400806	SCREW, PAN (T WASHER) M4X8					

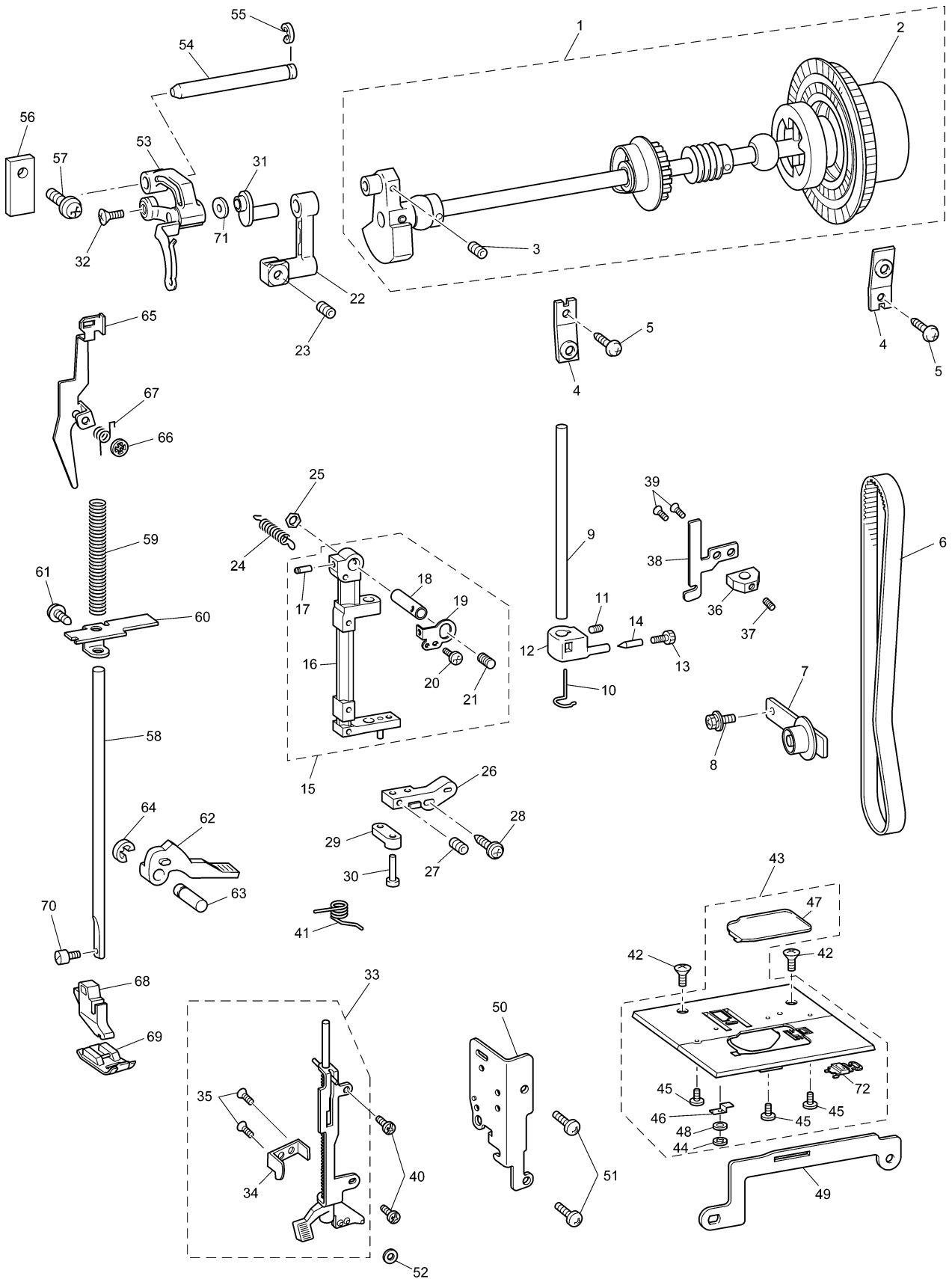
(2) UPPER SHAFT AND NEEDLE BAR



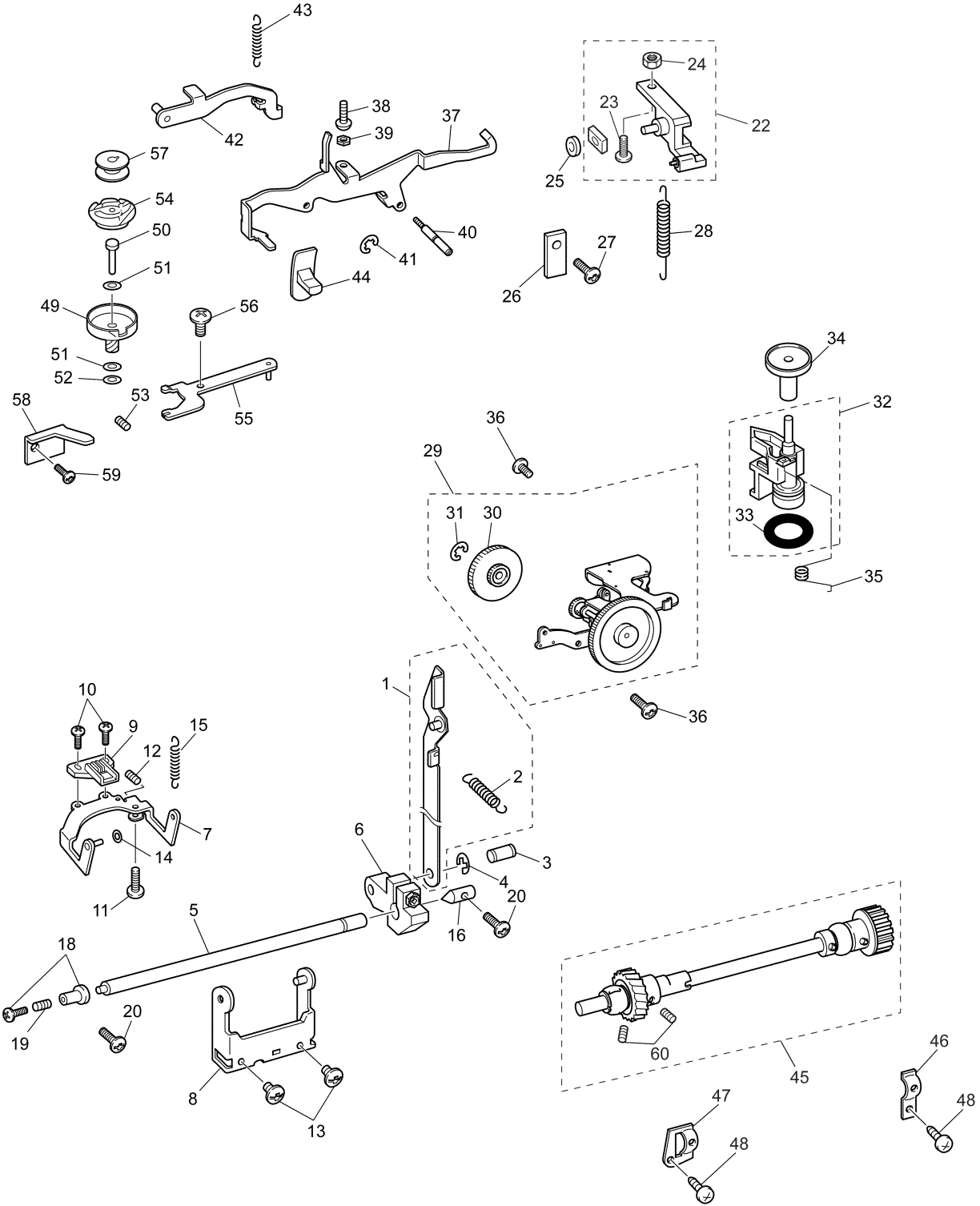
(2) UPPER SHAFT AND NEEDLE BAR

No.	CODE	NAME	REMARKS	No.	CODE	NAME	REMARKS
1	XE3699001	UPPER SHAFT SUPPLY ASSY	1000006160	(XL6040, XL6050, XL6060:KOR, XL6053NTP, XL6062NTP, XL6063NTP, XL6452, XR52C, XR65T, XL6562)			
2	X57370022	PULLEY					
3	X54013051	SET SCREW SM6.35					
4	X52478021	BUSHING PRESSER					
5	X57908021	TAPTITE BIND S M4 x 10					
6	XA8039021	TIMING BELT					
7	XA8040021	TENSION PULLEY ASSEMBLY					
8	XA3004021	BOLT, (S/P WASHER) M5X12					
9	XA2358121	NEEDLE BAR					
10	XC0947020	NEEDLE BAR THREAD GUIDE					
11	012400432	SET SCREW SOCKET (FT) M4X4		33	XA8052021	THREAD GUIDE PLATE ASSEMBLY	
12	XZ0001121	NEEDLE CLAMP		34	XA0445251	THREADER HOOK ASSEMBLY	060001
13	XZ0002021	NEEDLE CLAMP SCREW		35	037200516	TAPPING SCREW PAN V M2X5	
14	XA5718121	NEEDLE CLAMP PIN		36	XA2367020	NEEDLE THREADER SET COLLAR	
15	XA8044021	NEEDLE BAR SUPPORTER ASSY		37	012400432	SET SCREW SOCKET (FT) M4X4	
16	XA8045021	NEEDLE BAR SUPPORTER SUB ASSY		38	XA8056021	NEEDLE THREAD POSITION SETTER	
17	XA8047020	NEEDLE BAR SUPPORTER SHAFT		39	004260405	SCREW FLAT M2.6X4	
18	XA8048021	NEEDLE BAR SUPPORTER SHAFT		40	060400616	SCREW BIND M4X6	
19	XA8613021	SET PLATE		(XL6040, XL6050, XL6060:KOR, XL6053NTP, XL6062NTP, XL6063NTP, XL6452, XR52C, XR65T, XL6562)			
20	060300616	SCREW BIND M3X6					
21	012400432	SET SCREW SOCKET (FT) M4X4					
22	XA1289121	NEEDLE BAR CRANK ROD ASSY					
23	014401232	SET SCREW SOCKET (CP) M4X12					
24	XC0600021	SPRING					
25	X56851021	LOCK NUT					
26	XA8711021	H SHAFT HOLDER ASSY					
27	014400432	SET SCREW SOCKET (CP) M4X4					
28	XA0649021	TAPTITE, CUP S M4X14					
29	XA7996021	NEEDLE BAR SUPPORTER ARM	1000001070	41	XA8064021	SPRING	
30	X57647021	NEEDLE BAR SUPPORTER STUD		42	X50487021	SCREW M4	1000010447
31	XC2499021	ADJUSTING PLATE	060011	43	XA8715021	NEEDLE PLATE ASSEMBLY	
32	132051022	SCREW, FLAT SM3.57-40X7 L		44	120454021	RETAINING RING,CS3	
				45	061300416	SCREW FLAT M3X4	
				46	XA8635020	NEEDLE PLATE COVER SPRING	
				47	XD1647021	NEEDLE PLATE COVER SUPPLY ASSY	050259
				48	XC0508020	RUBBER WASHER	
				49	XA8063020	PLATE	
				50	XC0226021	BH LEVER HOLDER	
				51	X57908021	TAPTITE,BIND S M4X10	
				52	025680133	WASHER, PLAIN S 4.37 (XL6040, XL6050, XL6060:KOR, XL6053NTP, XL6062NTP, XL6063NTP, XL6452, XR52C, XR65T, XL6562)	
				53	XA2505021	THREAD TAKE-UP LEVER ASSEMBLY	060011
				54	XC0175021	TAKE-UP LEVER SHAFT	
				55	048050343	RETAINING RING E5	1000001451
				56	XA8083021	PRESSER PLATE	
				57	X57913021	TAPTITE, BIND S M4X16	
				58	XA2402020	PRESSER BAR	
				59	X55770021	PRESSER BAR SPRING	
				60	XA3955121	PRESSER BAR BRACKET	
				61	X52760051	SET SCREW, PAN M6 x 12	
				62	XA2511121	PRESSER FOOT LIFTER	
				63	XA4422020	PRESSER FOOT LIFTER STUD	

(2) UPPER SHAFT AND NEEDLE BAR



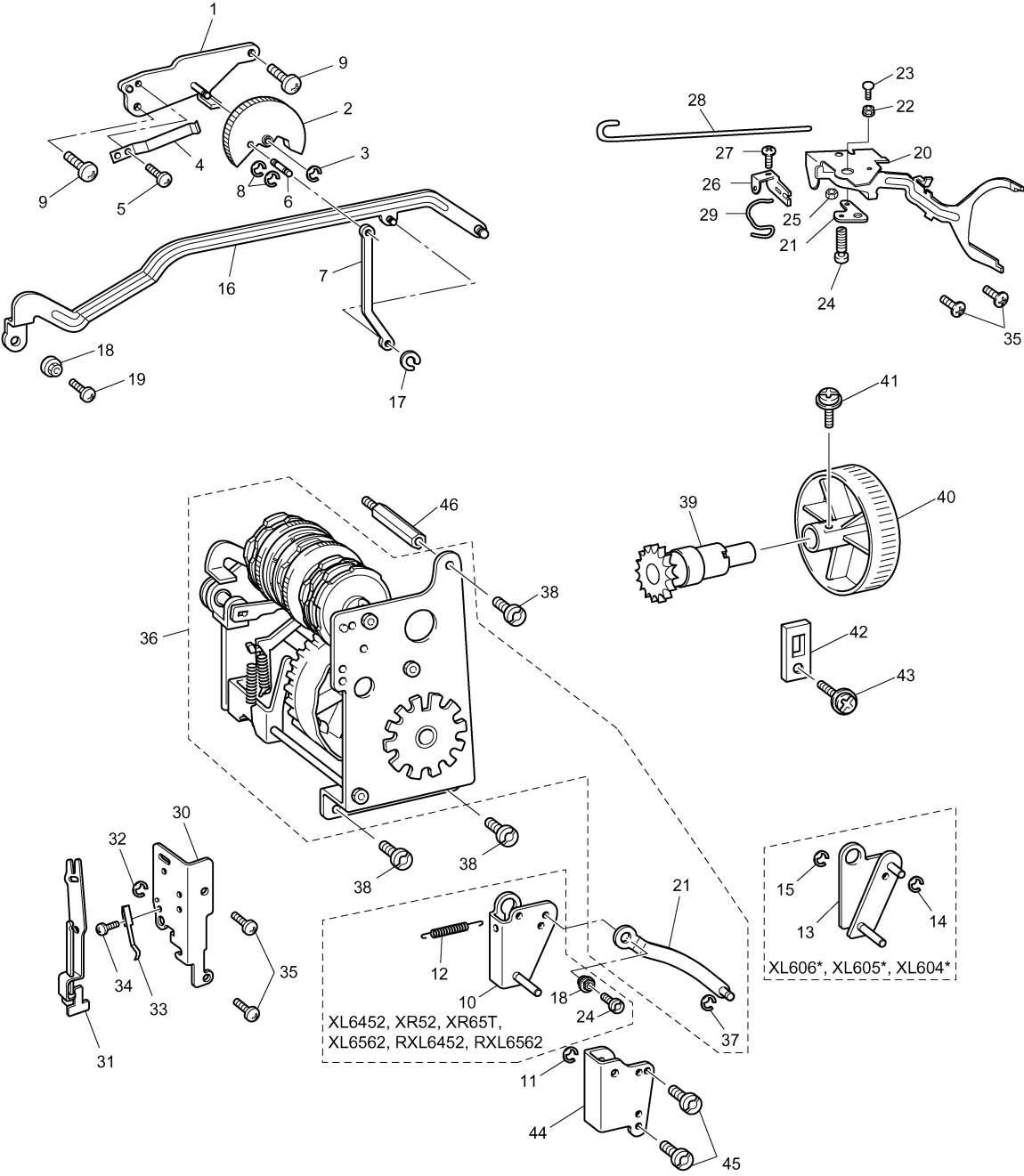
(3) FEED MECHANISM AND SHUTTLE HOOK



(3) FEED MECHANISM AND SHUTTLE HOOK

No.	CODE	NAME	REMARKS	No.	CODE	NAME	REMARKS
1	XA8066021	FEED CONNECTING ROD ASSY		45	XZ5063001	LOWER SHAFT SUPPLY ASSY	1000008685
2	X57350021	SPRING EXTENSION		46	132421021	BUSHING PRESSER	
3	X57345021	STUD		47	XA1975021	BUSHING PRESSER L	
4	048050343	RETAINING RING E5	1000001451	48	X57908021	TAPTITE, BIND S M4X10	
5	XA8070020	HORIZONTAL FEED SHAFT		49	XC0752121	OUTER ROTARY HOOK ASSY	
6	X57347021	HORIZONTAL FEED ARM ASSY		50	XA0360121	OUTER ROTERY HOOK SHAFT	
7	XA8075021	FEED STAND ASSY		51	XA2190020	WASHER U	
8	XA8071021	HORIZONTAL FEED PLATE		52	XA0362021	WASHER	
9	XA8078021	FEED DOG		53	014400632	SET SCREW SOCKET (CP) M4X6	
10	060301016	SCREW BIND M3X10		54	XC0066021	INNER ROTARY HOOK ASSEMBLY	
11	XA8077051	VERTICAL FEED FINGER		55	XA8116021	INNER ROTARY HOOK BRAKET ASSY	
12	014401632	SET SCREW SOCKET (CP) M4X16		56	060400816	SCREW BIND M4X8	
13	060400816	SCREW BIND M4X8		57	X52800120	BOBBIN	
14	120454021	RETAINING RING,CS3		58	XA8616021	PRESSER PLATE	
15	XA1911021	SPRING		59	0A4400806	SCREW PAN (S/P WASHER) M4X8	
16	XA1082021	TAPER POINT STUD R	060050	60	014400432	SET SCREW SOCKET (CP) M4X4	1000008685
17	X57913021	TAPTITE, BIND S M4X16	1000001089				
18	X55472021	TAPER POINT STUD L ASSEMBLY					
19	X56613021	SPRING					
20	XZ0074021	TAPTITE, CUP S 4X16	1000001089				
21	XA0030021	FEED SQUARE BLOCK	1000005330				
22	XZ5052001	FEED REGULATOR UNIT	1000005330				
23	XA8081051	ADJUST SCREW					
24	X56960021	NUT 4					
25	X53330020	WASHER					
26	XA8083021	PRESSER PLATE					
27	X57908021	TAPTITE, BIND S M4X10					
28	XA0998021	SPRING					
29	XC0989021	FEED BRACKET SUB ASSEMBLY					
30	XA8090020	IDLE GEAR					
31	048040343	RETAINING RING E4	1000001451				
32	XC0199021	BOBBIN WINDER SHAFT BASE ASSY					
33	120448021	BOBBIN WINDER RUBBER BAND					
34	XA8099021	BOBBIN BASE					
35	XZ0070021	BOBBIN WINDER SPRING					
36	060400616	SCREW BIND M4X6					
37	XA8105021	REVERSE SEWING LEVER A					
38	X59200021	SCREW					
39	X56960021	NUT 4					
40	XC0203021	SCREW, STUD M4					
41	048050343	RETAINING RING E5	1000001451				
42	XA8531021	REVERSE SEWING LEVER B ASSY					
43	XA8111021	SPRING					
44	XC0202021	REVERSE SEWING BUTTON					

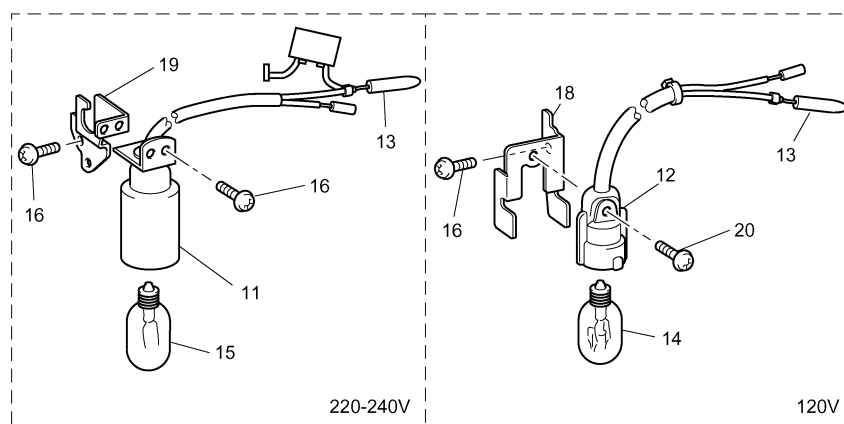
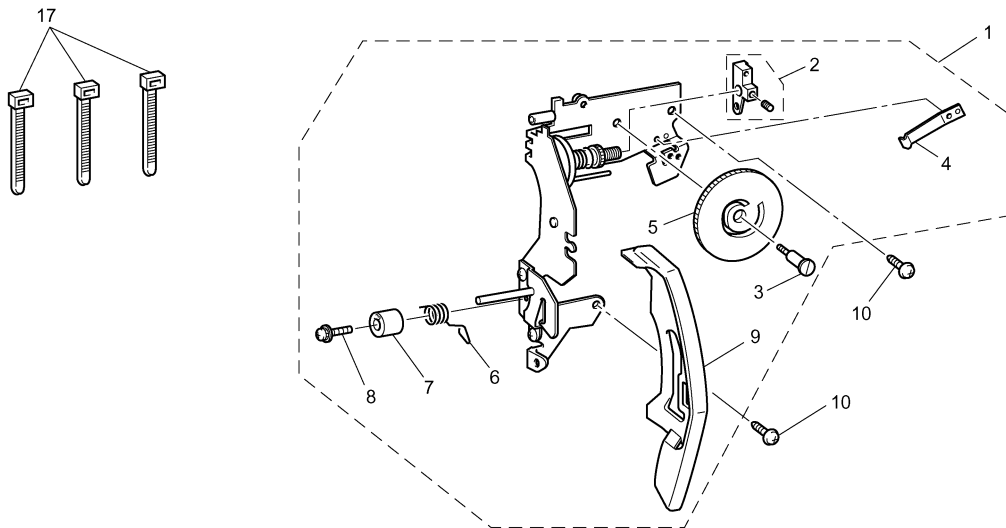
(4) ZIGZAG, BH MECHANISM AND PATTERN SELECTION



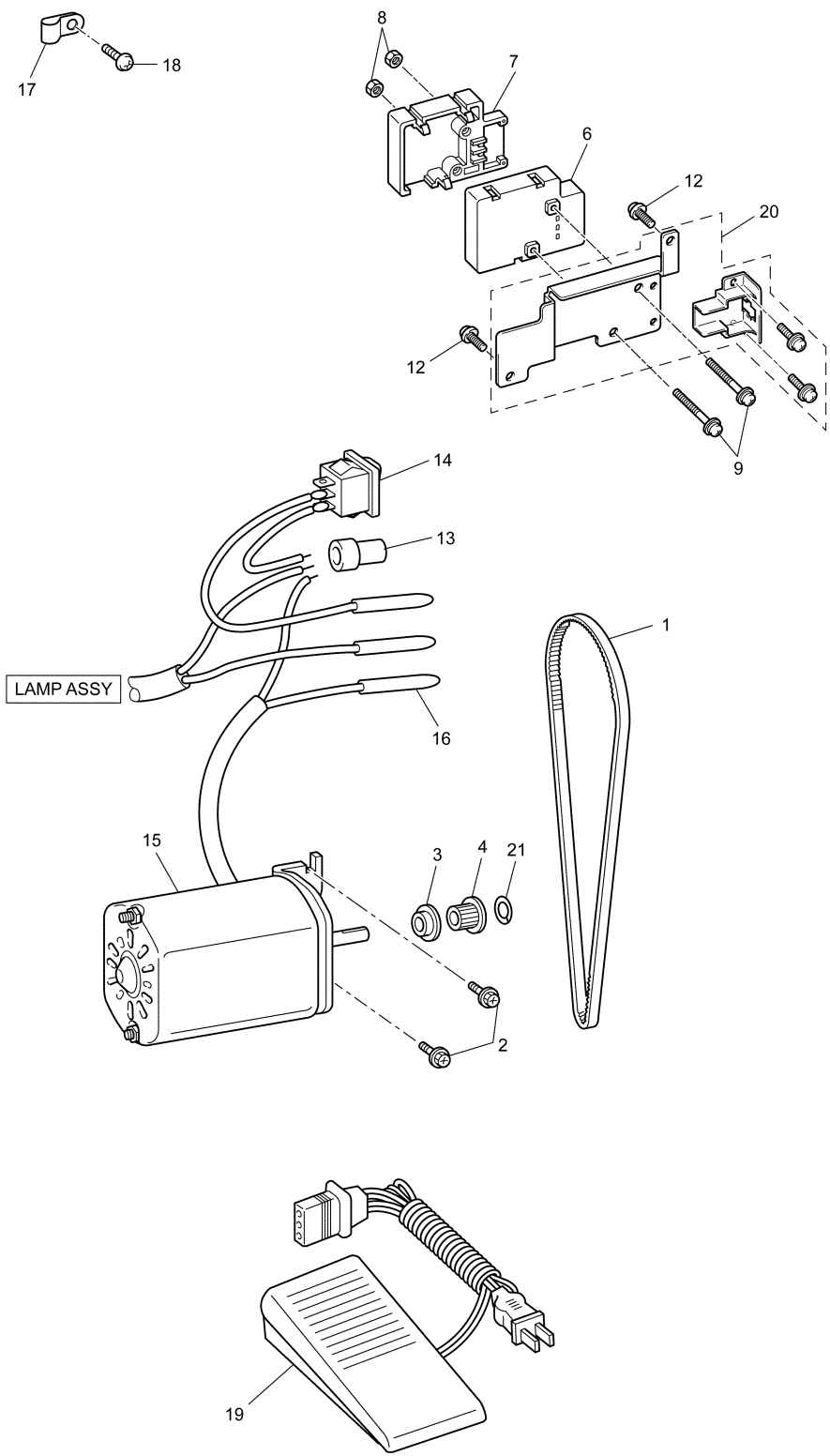
(4) ZIGZAG, BH MECHANISM AND PATTERN SELECTION

No.	CODE	NAME	REMARKS	No.	CODE	NAME	REMARKS
ZIGZAG MECHANISM (XL6452, XR52C, XR65T, XL6562)				32	048040343	RETAINING RING E4	1000001451
1	XC0206021	Z DIAL HOLDER ASSY		33	XC0227021	BH SPRING	
2	XC0210022	Z DIAL		34	060300616	SCREW BIND M3X6	
3	048040343	RETAINING RING E4	1000001451	35	X57908021	TAPTITE, BIND S M4X10	
4	X56839021	NOTCHED SPRING		PATTERN SELECTION MECHANISM			
5	062300416	SCREW PAN M3X4		36	XC1092021	PATTERN SELECTING UNIT ASSY (XL6040, XL6041, XL6042, XL6043)	
6	XC0211021	Z DIAL PIN			XC1100021	PATTERN SELECTING UNIT ASSY (XL6050, XL6051, XL6052, XL6053, XL6053NTP)	
7	XC0221021	Z DIAL CONNECTING ROD			XC1098021	PATTERN SELECTING UNIT ASSY (XL6060, XL6061, XL6062, XL6062NTP XL6063, XL6063NTP)	
8	048020343	RETAINING RING E2	1000001451		XC1091021	PATTERN SELECTING UNIT ASSY (XL6452, XR52C, XR65T)	
9	060400816	SCREW BIND M4X8			XC1069021	PATTERN SELECTING UNIT ASSY (XL6562)	
10	XC0755021	ZIGZAG LINK Z5R ASSEMBLY		37	048040343	RETAINING RING E4	1000001451
11	048050343	RETAINING RING E5	1000001451	38	060400816	SCREW BIND M4X8	
12	XC0215021	SPRING		39	XC0260121	SELECTING GEAR ASSY	
(XL6040, XL6041, XL6042, XL6043, XL6050, XL6051, XL6052, XL6053, XL6053NTP, XL6060, XL6061, XL6062, XL6062NTP, XL6063, XL6063NTP)					XC0629021	SELECTING GEAR ASSY (XL6040, XL6041, XL6042, XL6043)	
13	XC0758021	ZIGZAG LINK Z5C ASSY		40	X59154022	PATTERN SELECTING DIAL	
14	048050343	RETAINING RING E5	1000001451	41	XC7568051	SCREW, PAN (S/P WASHER) M4X14	1000000866
15	048040343	RETAINING RING E4	1000001451	42	XA8190021	PRESSER PLATE	
16	XC0216021	Z CONNECTING ROD ASSY (XL6452, XR52C, XR65T, XL6562)		43	X57908021	TAPTITE, BIND S M4X10	
	XC0761021	Z CONNECTING ROD ASSY Z5C (XL6040, XL6041, XL6042, XL6043, XL6050, XL6051, XL6052, XL6053, XL6053NTP, XL6060, XL6061, XL6062, XL6062NTP, XL6063, XL6063NTP)		44	XC0757021	ZIGZAG LINK HOLDER Z5R	
17	048020343	RETAINING RING E2	1000001451	45	060400616	SCREW BIND M4X6	
18	X50559020	ZIGZAG ADJUSTING NUT		46	XC0264021	SCREW, HEXAGON M4X40.5	
19	062301006	SCREW PAN M3X10					
BH MECHANISM (Except XL6040,XL6041,XL6042,XL6043)							
20	XC0223021	BH STOPPER ASSY					
21	X52176021	BH ADJUSTING PLATE					
22	130833021	ECCENTRIC NUT					
23	062670812	SCREW PAN SM3.57-40X8					
24	X52030221	BH NOTCH ADJUSTING SCREW					
25	102571026	NUT, SM4.37					
26	X52027021	BH CHANGE ARM					
27	060400816	SCREW BIND M4X8					
28	XC0224021	BH CONNECTING SHAFT					
29	XZ0023021	BH NOTCH SPRING					
30	XC0226021	BH LEVER HOLDER					
31	XA3975121	BH LEVER HOLDER ASSEMBLY					

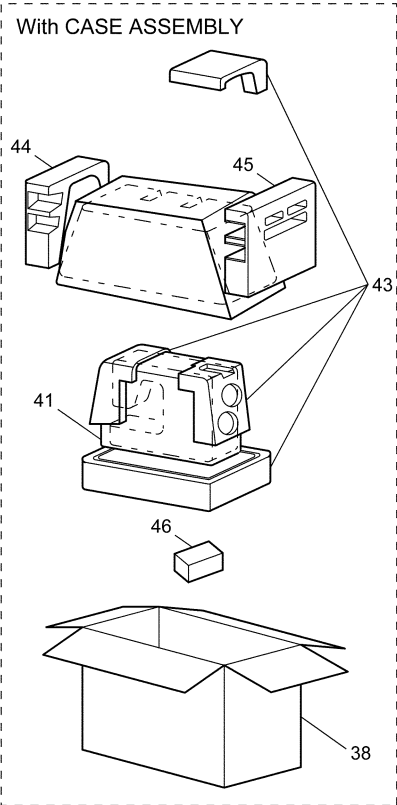
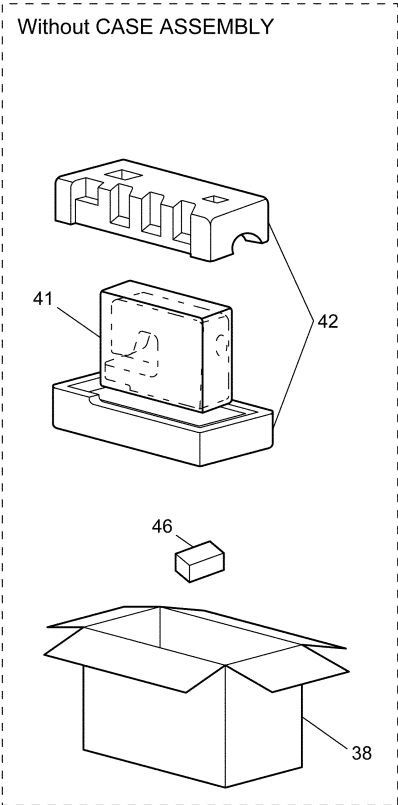
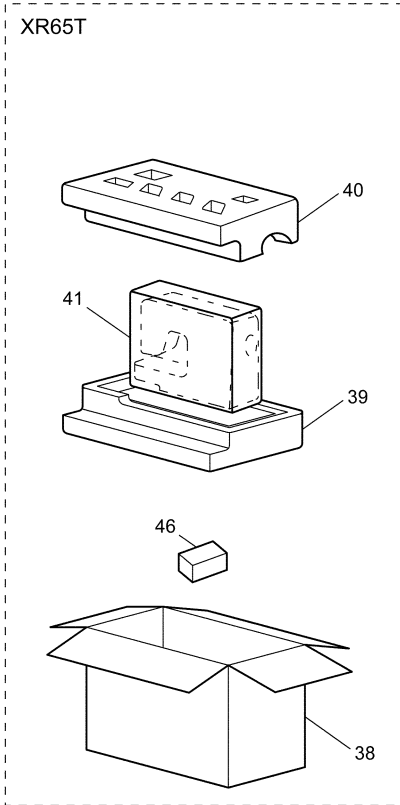
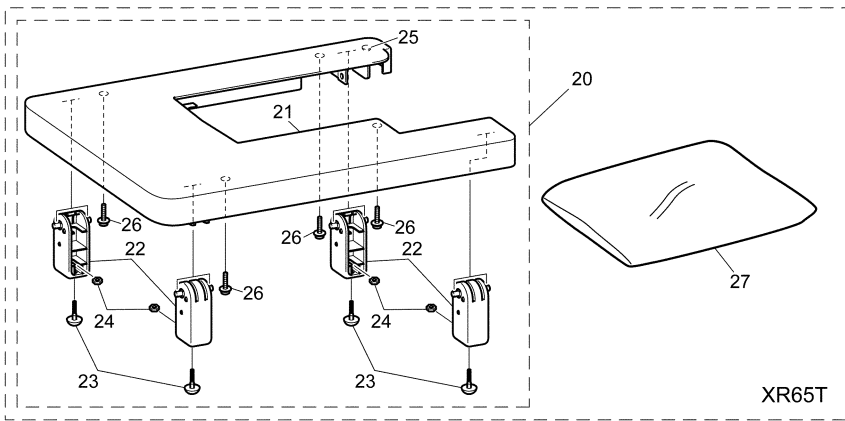
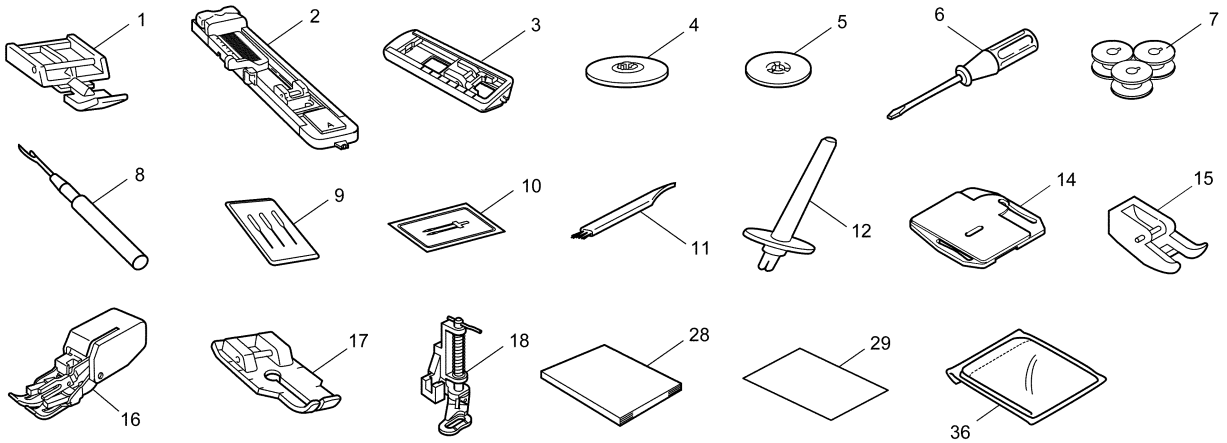
(5) THREAD GUARD MECHANISM, LAMP MECHANISM



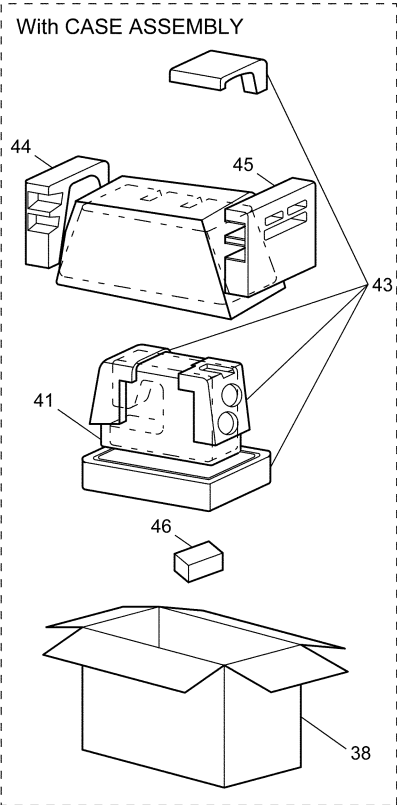
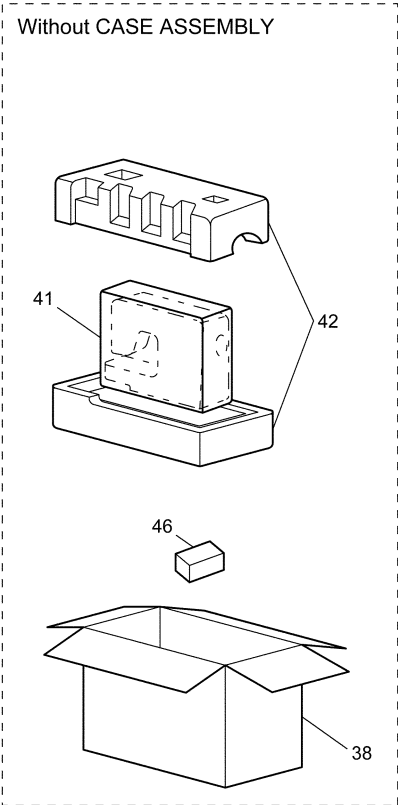
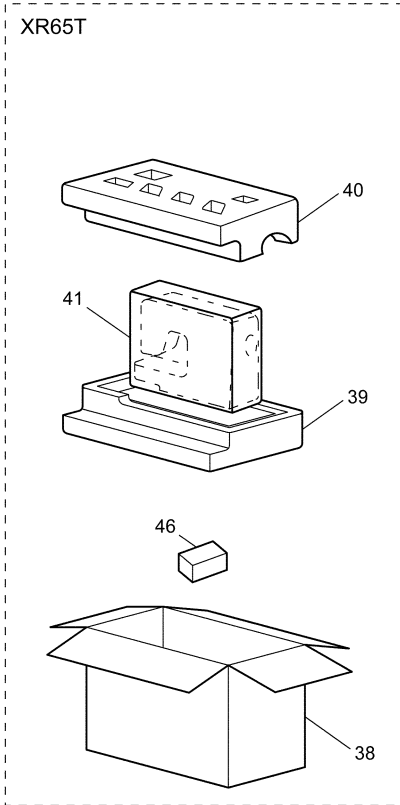
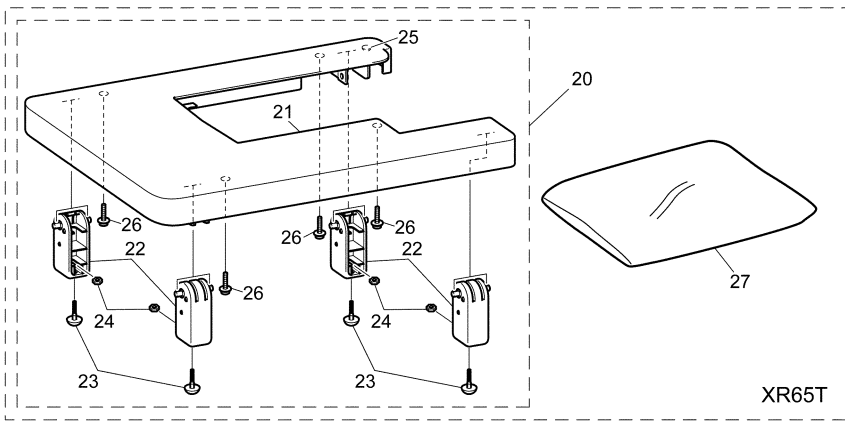
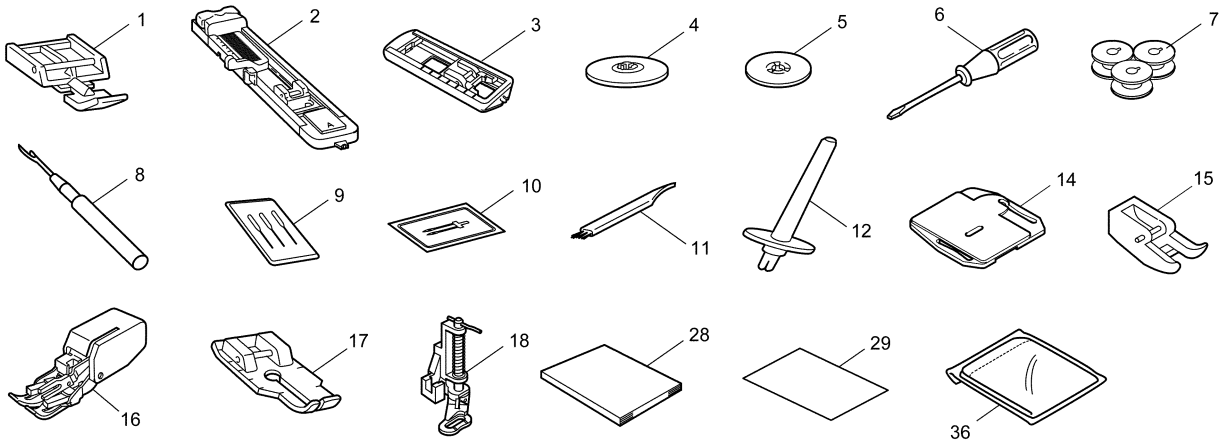
(6) MOTOR UNIT



(7) ATTACHMENTS



(7) ATTACHMENTS



(7) ATTACHMENTS

No.	CODE	NAME	REMARKS	No.	CODE	NAME	REMARKS
	130800021	BAG, 230X310H (Except XL6040, XL6050, XL6060:KOR)	1000011228	47	264030024	BAG,165X250 (XL6040:KOR, AUSTRALIA, XL6050:KOR, AUSTRALIA, XL6060:KOR, AUSTRALIA)	DEL
PACKING MATERIALS							
38	X61683024	COLOR CARTON (XL6040:AUSTRALIA)		48	160670021	BAG,150X350 (XL6040:KOR, AUSTRALIA, XL6050:KOR, AUSTRALIA, XL6060:KOR, AUSTRALIA)	DEL
	X61650035	CARTON (XL6042:GER, AUSTRIA)					
	X61650030	CARTON (XL6043:AUSTRIA)					
	X61650038	CARTON (XL6041:AUSTRIA)					
	X61650025	CARTON (XL6040:ITA, FIN, RUS, SIN)					
	X61701024	CARTON (XL6040, XL6050, XL6060:KOR)					
	X61650034	CARTON (XL6052:GER, AUSTRIA)					
	X61650037	CARTON (XL6051:U.K., AUSTRIA)					
	X61650027	CARTON (XL6050:FRA, FIN, RUS, SIN)					
	X61650029	CARTON (XL6053:FRA, AUSTRIA)					
	X61650039	CARTON (XL6053NTP)					
	X61683023	COLOR CARTON (XL6050:SWI, AUSTRALIA)					
	X61683025	COLOR CARTON (XL6060:AUSTRALIA)					
	X61650036	CARTON (XL6061:U.K.)					
	X61650033	CARTON (XL6062:U.K., AUSTRIA)					
	X61650041	CARTON (XL6062NTP)					
	X61650026	CARTON (XL6060:FRA, RUS, XL6063:SIN)					
	X61650028	CARTON (XL6063:FRA, AUSTRIA, XL6060:SIN)					
	X61650040	CARTON (XL6063NTP)					
	X61683022	COLOR CARTON (XL6452)					
	X61683021	COLOR CARTON (XL6562)					
	X61701022	CARTON (XR52C)					
	XC5505023	T4 CARTON W/WT (XR65T)					
	XC9169021	CARTON (XR65T:U.K.)					
	X61650082	CARTON (XL6040:RUS)	1000001416				
	X61650083	CARTON (XL6050:RUS)	1000001416				
	X61650084	CARTON (XL6060:RUS)	1000001416				
39	XC5388020	T4 SF LOWER W/WT (XR65T)					
40	XC5389020	T4 SF UPPER W/WT (XR65T)					
41	X60439121	BAG 630X630T	1000013192				
42	X61695021	285 SF ASSY (OTHER)					
43	X61699121	284 SF ASSY (XL6040, XL6050, XL6060:KOR)	060054				
44	X60018120	OVER CASE POLYSTYRENE L	060054				
45	X60019120	OVER CASE POLYSTYRENE R	060054				
46	X60726020	FOOT CONTROLLER BOX					

brother®

XL6040/XL6041/XL6042/XL6043/XL6050/XL6051/XL6052/XL6053/XL6053NTP
XL6060/XL6061/XL6062/XL6062NTP/XL6063/XL6063NTP
XL6452/XL6562/XR52C/XR65T
HF885281-285