



Home Sewing Machine

PARTS REFERENCE LIST

MODEL: NV4000D

CONFIDENTIAL

©2005 Brother Industries, Ltd.
All rights reserved.

Published: Aug.,2005
Revised: Feb.,2017

Country Code & Abbreviation of Country Name

Country Code	Abbr.	Country Name	Country Code	Abbr.	Country Name	Country Code	Abbr.	Country Name
USA/Canada			Europe			Asia/Oceania		
200	USA	America	401	ZAF	South Africa	601	KOR	Korea
251	CAN	Canada	402	EGY	Egypt	603	TWN	Taiwan
			411	MUS	Mauritius	604	HKG	Hong Kong
301	PER	Peru				605	VNM	Vietnam
302	ARG	Argentina	501	IRE	Ireland	606	IDN	Indonesia
303	CHL	Chile	502	DEU	Germany	607	PHL	Philippines
304	PRY	Paraguay	503	BEL	Belgium	608	MYS	Malaysia
305	URY	Uruguay	505	UK	United Kingdom	609	SGP	Singapore
306	BRA	Brazil	506	FRA	France	615	IND	India
307	VEN	Venezuela	507	NOR	Norway	616	THA	Thailand
308	MEX	Mexico	508	NLD	Netherlands	622	CHN	China
309	COL	Colombia	509	AUT	Austria			
310	PAN	Panama	510	GRC	Greece	701	AUS	Australia
318	GTM	Guatemala	511	SWE	Sweden	702	NZL	New Zealand
324	GUF	FR. Guiana	515	ESP	Spain			
330	BRB	Barbados	516	PRT	Portugal	902	ISR	Israel
399	-	Latin America 2&5	517	ITA	Italy	903	SYR	Syria
			519	FIN	Finland	904	TUR	Turkey
			520	CHE	Switzerland	905	JOR	Jordan
			521	DNK	Denmark	906	KWT	Kuwait
			524	MLT	Malta	908	SAU	Saudi Arabia
			550	EEU	East Europe	909	IRQ	Iraq
			556	RUS	Russia	910	IRN	Iran
			599	NEU	North Europe	911	CYP	Cyprus
						915	UAE	United Arab Emirates

Meaning of "R" and "H"

No.	CODE	NAME	R/H	REMARKS
1	XA9644050	T BELT	H	
2	XA8474051	UPSET 4X12 DB		
3	XA9652150	MOTOR FAN		
4	XC5764051	MOTOR HOLDER BASE		
5	X57908052	TAPTITE, BIND S M4X10		
6	XE8185001	MAIN MOTOR ASSY	R/H	
7	XC6481051	MOTOR CAP		
8	XA9649050	FEEDER TUBE		
9	XC0443051	SPACER 4X7		
10	XA9650051	MOTOR SPACER PRESSER		
11	052401605	SCREW, PAN (S/P WASHER) M4X16		
12	XC5762051	MOTOR HOLDER		
13	XC5763051	MOTOR HOLDER SPACER		
14	XE1142001	NEEDLE PLATE	R	
15	XC6404051	SCREW, FLAT M4		

High mortality parts

Recommend spare parts
& High mortality parts

Recommend spare parts

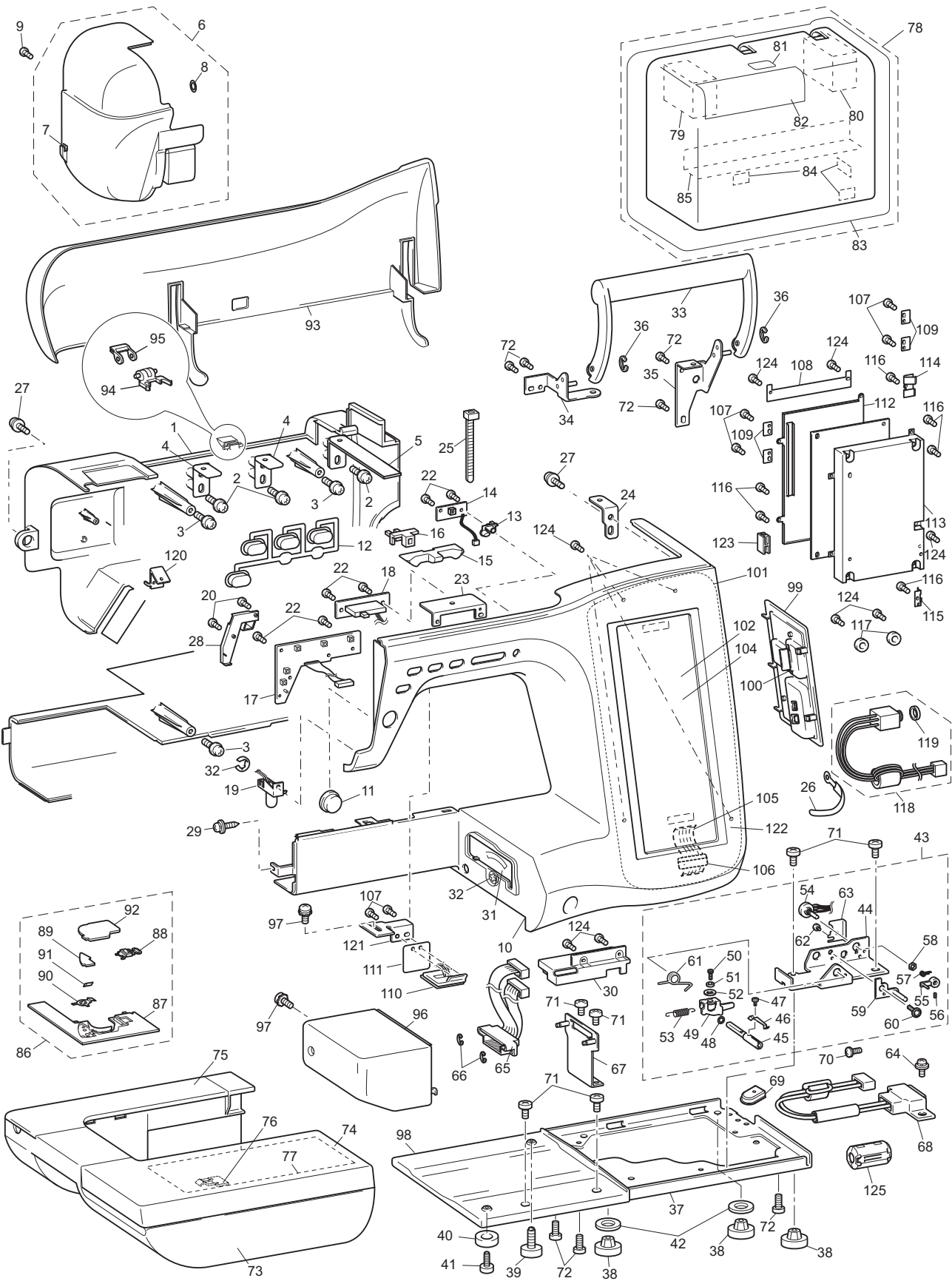
CONTENTS

(1) MAIN FRAME / COVER	2
LCD SUPPLY ASSEMBLY	6
(2) UPPER SHAFT / NEEDLE BAR / PRESSER FOOT UNIT ...	8
(3) FEED / SIDE FEED / THREAD CUTTING UNIT	10
(4) LOWER SHAFT / BOBBIN WINDING MECHANISM.....	12
(5) NEEDLE THREADING / SHUTTLE THREADING MECHANISM	14
(6) ELECTRIC PARTS / MAIN MOTOR UNIT	18
(7) EMBROIDERY UNIT	20
(8) ACCESSORY PARTS	24
(9) USER MANUAL / OTHER PARTS / PACKAGE	26
NEEDLE-PRESSER MODULE.....	28
FEED MODULE	32
THREAD CUTTER MODULE	36
SPARE PARTS.....	38

Note on parts:

We keep performance parts for this sewing machine for at least 8 years after this model is discontinued. Performance parts are the necessary parts to maintain the function of the sewing machine.

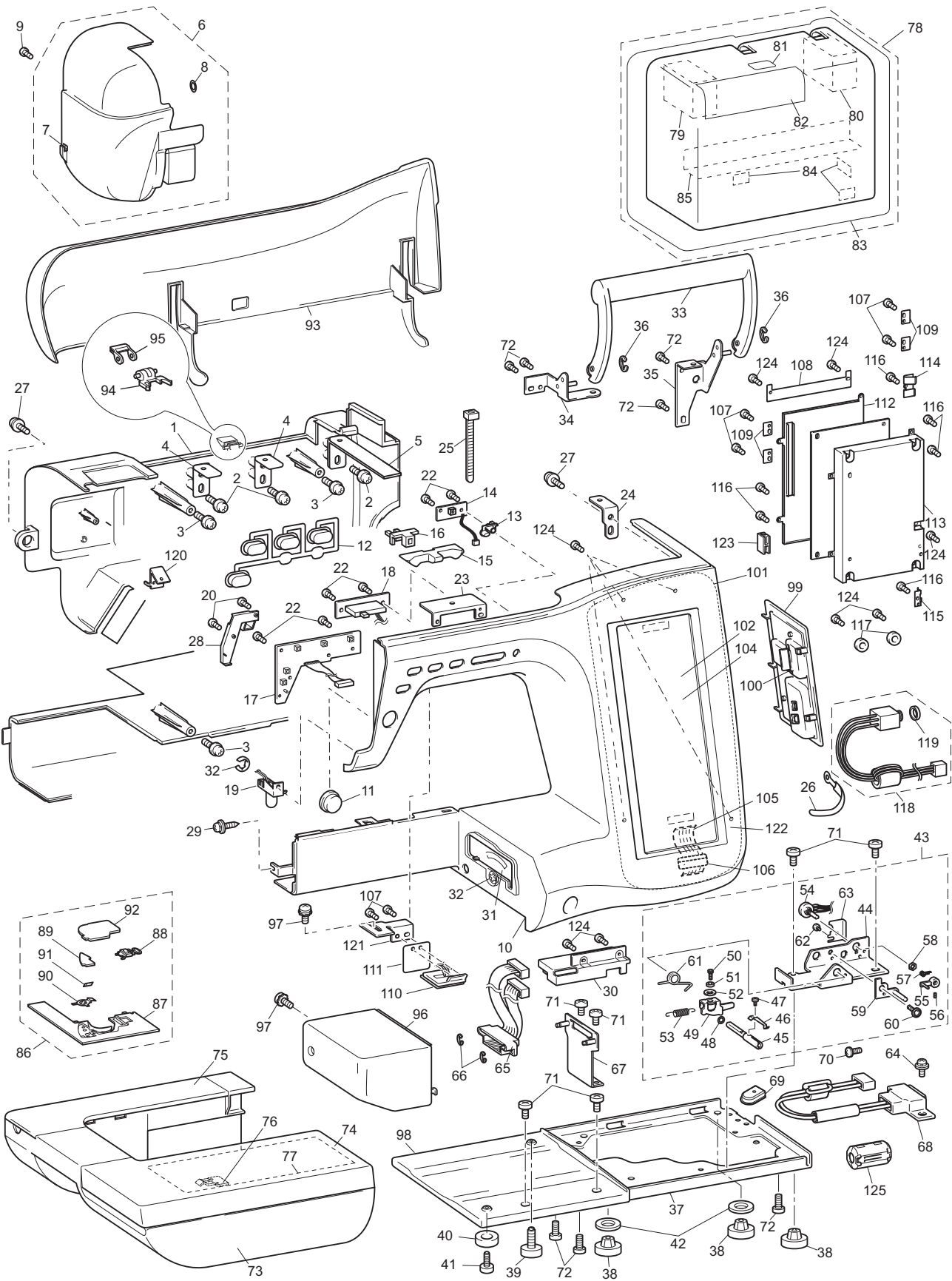
(1) MAIN FRAME / COVER



(1) MAIN FRAME / COVER

No.	CODE	NAME	R/H	REMARKS	No.	CODE	NAME	R/H	REMARKS
1	XC7683055	REAR COVER	R	1000027722	46	XA6215251	SPRING, PLATE		
2	087411016	TAPTITE CUP B M4X10			47	060260316	SCREW BIND M2.6X3		
3	087411416	TAPTITE CUP B M4X14			48	X51383050	WASHER, THRUST		
4	XC7717051	PLATE A			49	XC7740051	LIFTER LINK		
5	XC7718051	PLATE B			50	XA6252051	SCREW		
6	XC7719151	FACE PLATE ASSY	R		51	028040242	WASHER SPRING 2-4		
7	X80321001	NT LOWER THREAD CUTTER	H		52	026040236	WASHER PLAIN M 4		
8	138384051	RETAINING RING, CS5			53	XC7741051	SPRING		
9	0A6401206	SCREW, PAN (T WASHER) M4X12			54	XC8208051	ASSY: KNEE LIFTER SENSOR		
10	XC7685151	FRONT COVER	R		55	XA6493051	PT LEVER		
11	XC7723051	SS BUTTON			56	012300632	SET SCREW SOCKET (FT) M3X6		
12	XC7724051	BUTTON			57	XC7742051	SPRING		
13	XC7726051	THREAD BUTTON			58	026060235	WASHER PLAIN M 6		1000026339
14	XC8196051	ASSY: THSW PCB D6			58	X52569001	NUT		
15	XC7728051	SV KEYTOP			59	XC7743051	STOPPER PLATE ASSY		
16	XC7729051	SV JOINT PLATE			60	0A5400806	SCREW PAN (S/P WASHER) M4X8		
17	XC8199051	ASSY: SS PCB D6			61	XC8624051	KNEE LIFTER SPRING		
18	XC8202051	ASSY: VR PCB D6			63	XC8573054	WASHER, WAVE SPRING		1000026339
19	XE0617001	LED LAMP UNIT NEEDLE AREA D6R		1000026264	62	060300416	SCREW BIND M3X4		1000026339
20	085311415	TAPTITE BIND B M3X14			63	XF0815001	PT METER PLATE		1000026339
21	136681054	TAPTITE, BIND B M3X8		1000028888	64	0A4400806	SCREW PAN (S/P WASHER) M4X8		1000026412
22	X59629051	TAPTITE, BIND B M3X10		1000028888	65	XC8210051	ASSY, MAIN BODY LEAD WIRE		
23	XC7838051	PLATE C			66	048030343	RETAINING RING E3		1000038911
24	XC7839151	PLATE D			67	XC7746051	CONNECTOR HOLDER ASSY		
25	X53169050	BAND			68	XC7632051	INLET ASSY:D6 US (USA, CAN)		
26	137947001	CLIP				XC8419051	INLET ASSY: D6 EU (OTHER)		
27	087411016	TAPTITE CUP B M4X10			69	XE1830001	SAFETY COVER		
28	XC8680050	S HOLDER			70	060300616	SCREW BIND M3X6		
29	XC4433051	SCREW, PAN (T WASHER) M3X6			71	060400616	SCREW BIND M4X6		
30	XC8478250	INVERTER COVER			72	X57908052	TAPTITE, BIND S M4X10		
31	XA9400151	CONNECT COVER			73	XC7687051	ACCESSORY TABLE	R	
32	146200051	RETAINING RING, CS4			74	XD0698051	ACC TABLE F COVER SUPPLY ASSY	R	
33	XF6884001	HANDLE ASSY		1000037291	75	XC7689051	ACCESSORY TABLE REAR COVER	R	
34	XC7731051	HANDLE HOLDER L ASSY			76	138644051	NOTCHED SPRING		
35	XC7733051	HANDLE HOLDER R ASSY			77	XC8155151	SPONGE		
36	048040343	RETAINING RING E4		1000038911	78	XD1551051	CASE ASSEMBLY		
37	XC7736051	BASE PLATE			79	XD1470050	UNDER CASE POLYSTYRENE L (J6B111798~)		
38	XA1805051	BASE RUBBER A	H			XC9400150	UNDER CASE POLYSTYRENE L (~J6B111797)		
39	XA4687051	ADJUSTING SCREW ASSY			80	XD1469050	UNDER CASE POLYSTYRENE R (J6B111798~)		
40	XA4689051	BASE PLATE RUBBER	H			XC8183150	UNDER CASE POLYSTYRENE R (~J6B111797)		
41	062500816	SCREW PAN M5X8			81	XA3028052	DECORATION PLATE		
42	131976050	WASHER, THRUST			82	XD1464051	CASE COVER		
43	XC7737151	KNEE LIFTER ASSEMBLY		1000026339	83	XC8613051	BAG 900X600H		
44	XC7738151	LIFTER BASE		1000026339	84	125440050	CASE FELT		
45	XC7739151	SHAFT			85	XD1465051	SHEET FOR D6 HARDCASE		

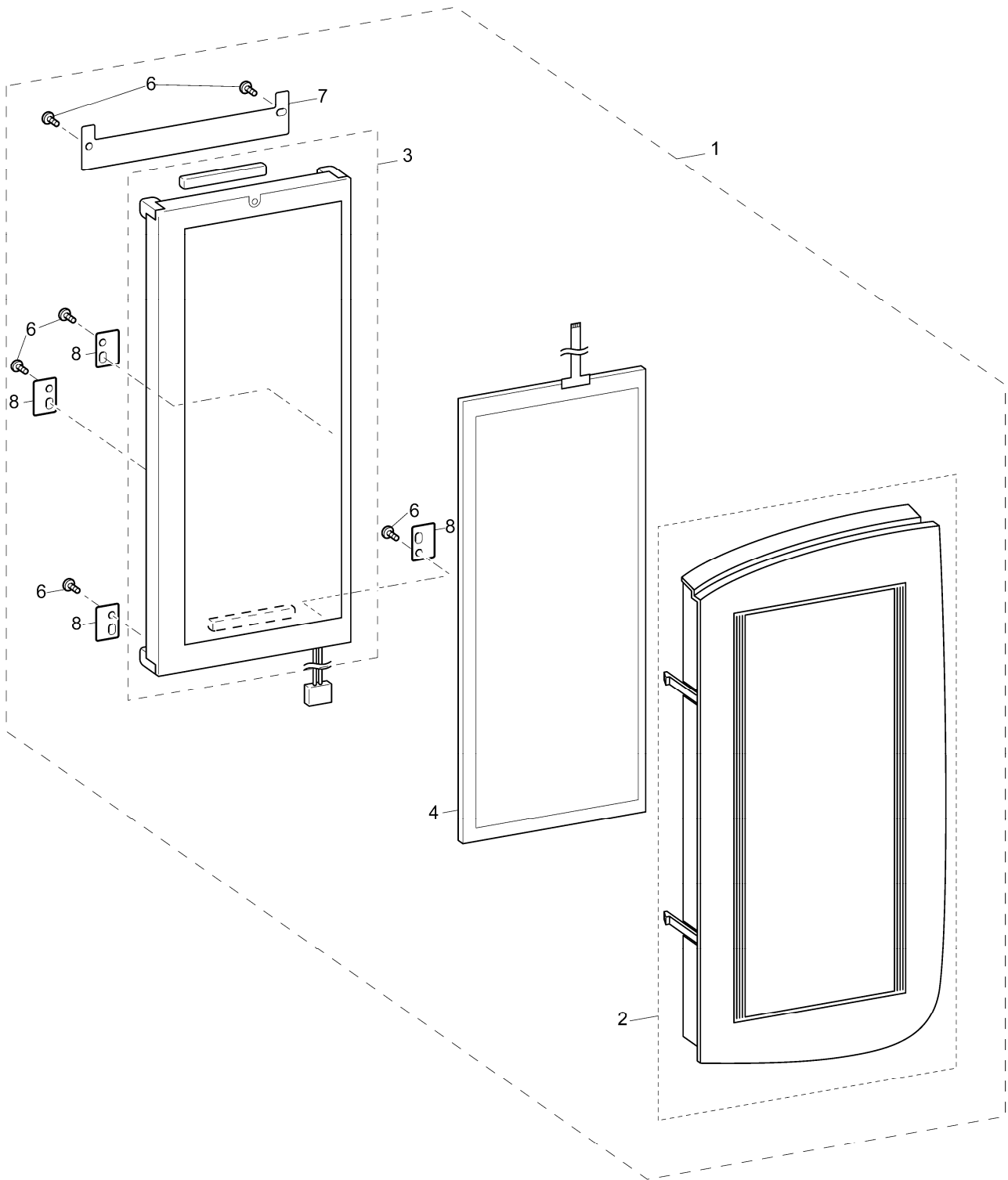
(1) MAIN FRAME / COVER



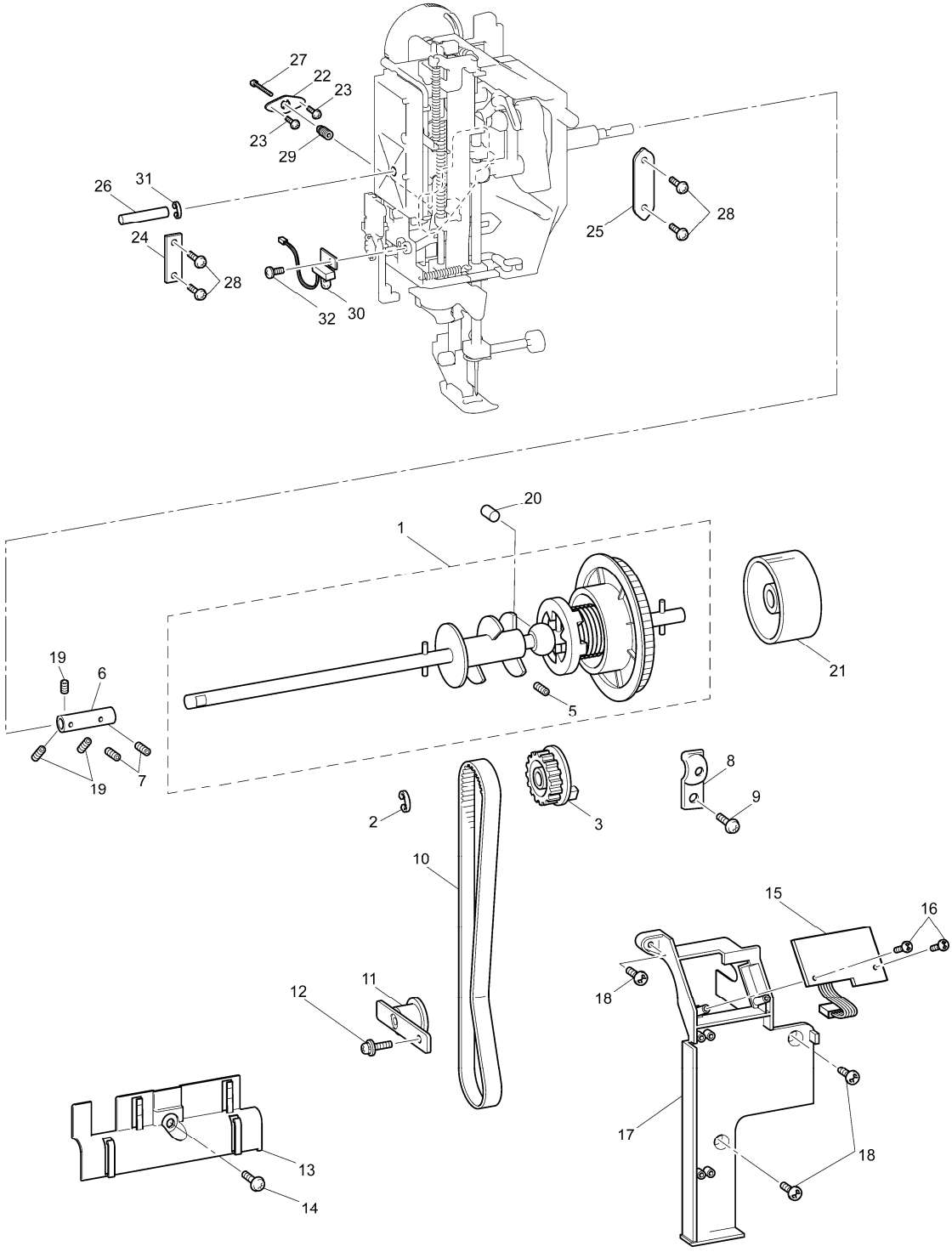
(1) MAIN FRAME / COVER

No.	CODE	NAME	R/H	REMARKS
86	XC2364452	NEEDLE PLATE B ASSY	H	1000030834
87	XC2365252	NEEDLE PLATE B		
88	XC2366152	SLIDE BUTTON		
89	XD1666052	CUTTER COVER		
90	XD1461051	NEEDLE PLATE COVER SPRING		
91	X80321001	NT LOWER THREAD CUTTER	H	
92	XE8992101	NEEDLE PLATE COVER ASSY	H	1000030834
93	XC7690053	TOP COVER	R	
94	XZ0391051	UPPER COVER HOLDER		
95	XC3286001	UPPER COVER HINGE OEM		
96	XC7691051	FREE ARM COVER	R	
97	0A6400806	SCREW PAN (T WASHER) M4X8		
98	XC7692051	BASE PLATE COVER		
99	XC7693451	CARD PCB COVER		
100	XC7756051	PEN HOLDER		
101	XC8669251	LCD MODULE SUPPLY ASSY (USA)		
	XC8684151	LCD MODULE SUPPLY ASSY (OTHER)		
102	XC8211051	TOUCH PANEL D6		
403	XA6039054	FRONT COVER SPACER B		
104	XC8891151	LCD SUPPLY ASSY (USA)		
	XC8892151	LCD SUPPLY ASSY (OTHER)		
105	XD1115051	FFC: SML2CD-20X70		
106	XC8660051	FERRITE CORE: FS18X12X5		
107	X59629051	TAPTITE, BIND B M3X10		
108	XC7840051	LCD PRESSER A		
109	XC7850051	LCD PRESSER B		
110	XE9885001	LED LAMP UNIT WORK AREA D6		
111	XC7759051	INSULATION SHEET		
112	XC7761051	BOARD CASE UPPER		
113	XC7762051	BOARD CASE LOW		
114	XC8533051	GROUND PLATE UPPER		
115	XC8534051	GROUND PLATE LOW		
116	060300516	SCREW BIND M3X5		
117	XC4543021	BOARD PRESSER		
118	XC8668051	FC JACK SUPPLY ASSY		
119	XE7829001	NUT N		1000025440
120	XC8430051	ADJUST PLATE A		
121	XC8431051	ADJUST PLATE B		
122	XC9233051	BADGE ASSEMBLY		
123	XD0976050	PCB HOLDER		
124	085311216	TAPTITE, BIND B M3X12		
125	XC8902051	FERRITE CORE:E04SR200935A (USA, CAN)		

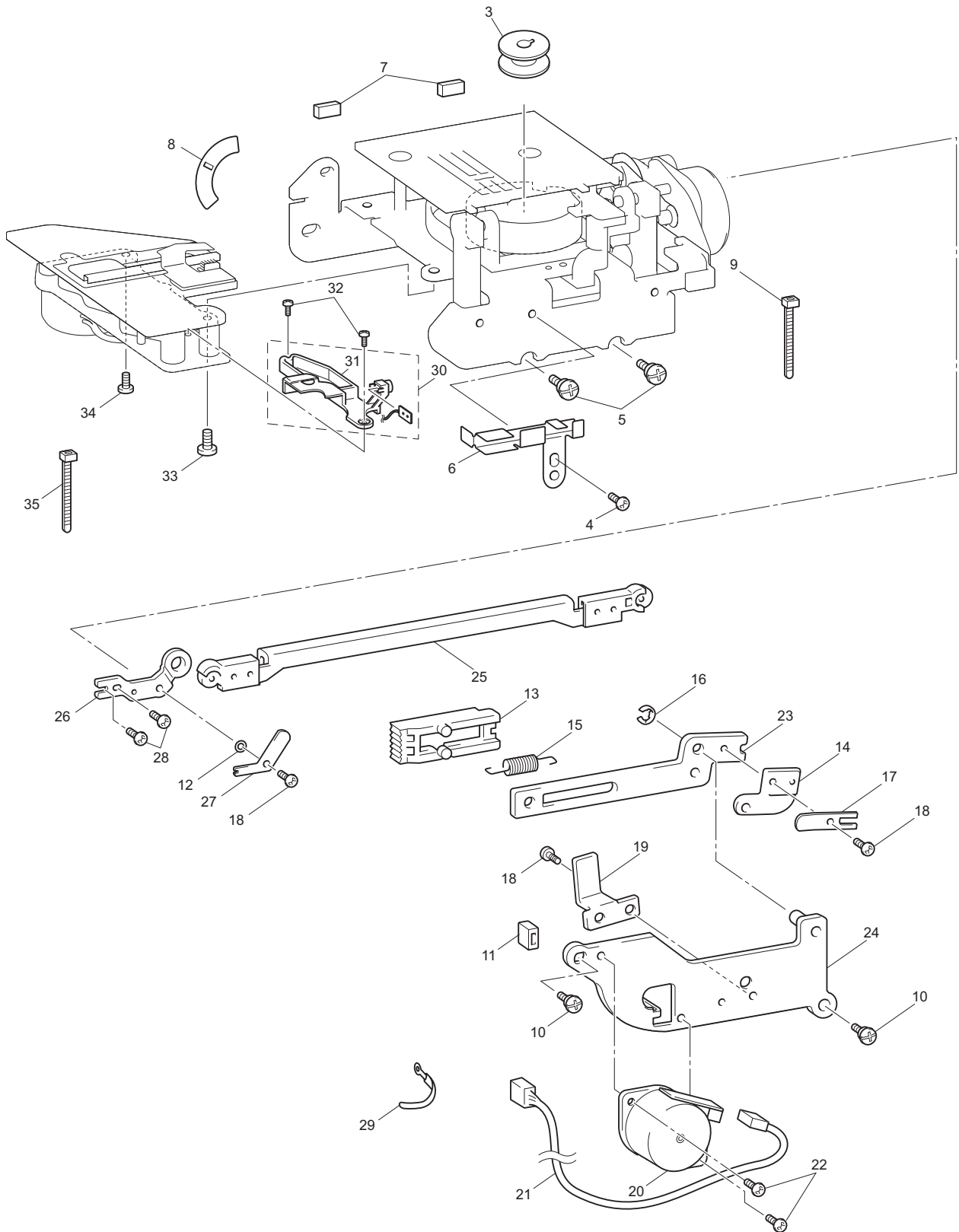
LCD SUPPLY ASSEMBLY



(2) UPPER SHAFT / NEEDLE BAR / PRESSER FOOT UNIT



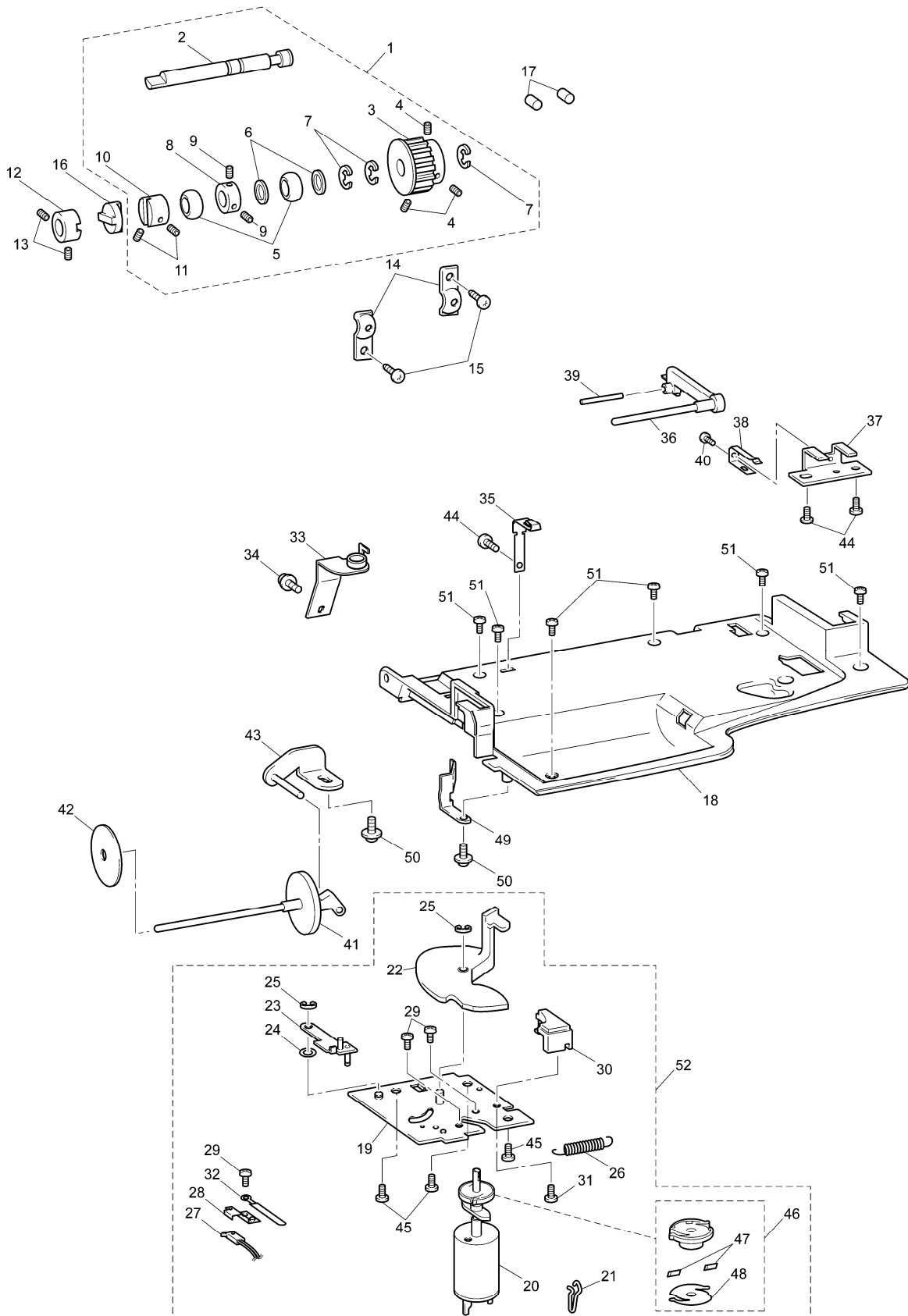
(3) FEED / SIDE FEED / THREAD CUTTING UNIT



(3) FEED / SIDE FEED / THREAD CUTTING UNIT

No.	CODE	NAME	R/H	REMARKS	No.	CODE	NAME	R/H	REMARKS
FEED UNIT					THREAD CUTTING UNIT				
4	XC3153351	INNER ROTARY HOOK ASSY	R/H		30	XC8329151	PHOTO TRANSISTOR ASSY		
2	XC3137000	PILE	H		31	XC9199051	SENSOR HOLDER		
3	X52800150	BOBBIN			32	0A4300606	SCREW PAN (S/P WASHER) M3X6		1000034610
4	060300416	SCREW BIND M3X4			33	060400516	SCREW BIND M4X5		
5	XC3096051	SCREW M4			34	060300516	SCREW BIND M3X5		
6	XC7876051	LEAD WIRE GUIDE HOLDER			35	X53169050	BAND		
7	XZ0160051	SHEET							
8	XC7878051	DROP COVER							
9	X53169050	BAND							
SIDE FEED MECHANISM									
10	X57908052	TAPTITE, BIND S M4X10							
11	XA2189050	RUBBER							
12	XA2401050	WASHER							
13	XA9506051	SIDE FEED GEAR							
14	XA9507050	SIDE FEED WASHER							
15	XA9508051	SPRING, EXTENSION							
16	048030343	RETAINING RING E3		1000038911					
17	XA9514051	SPRING, PLATE A							
18	060300616	SCREW BIND M3X6							
19	XC0411051	S STOPPER							
20	XC8242051	ASSY: S PULSE MOTOR							
21	XC8243051	ASSY: SPM LEAD WIRE							
22	060300416	SCREW BIND M3X4							
23	XC6258051	SIDE FEED PLATE							
24	XC8418051	SPM HOLDER ASSY							
25	XC6259051	SIDE FEED ARM ASSY							
26	XC6263051	SIDE FEED ADJUST PLATE							
27	XC6264051	SPRING, PLATE B							
28	XA8390051	SCREW							
29	XG0870001	COATING CLIP		1000046119					

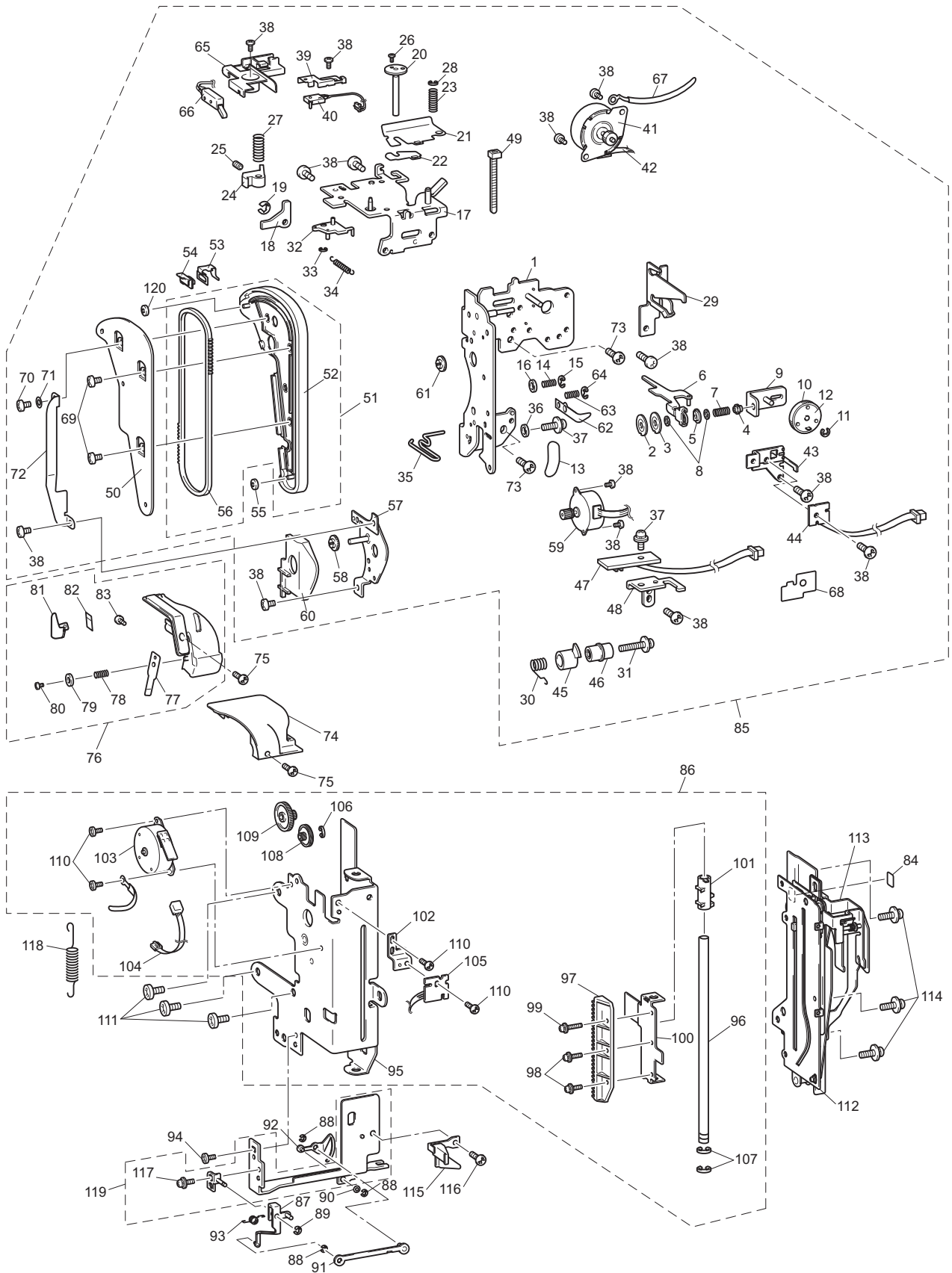
(4) LOWER SHAFT / BOBBIN WINDING MECHANISM



(4) LOWER SHAFT / BOBBIN WINDING MECHANISM

No.	CODE	NAME	R/H	REMARKS	No.	CODE	NAME	R/H	REMARKS
LOWER SHAFT MECHANISM					BOBBIN WINDING MECHANISM				
1	XC7889051	LOWER SHAFT A ASSY			18	XC7696051	UPPER COVER		
2	XC7890051	LOWER SHAFT A			19	XC7894051	BOBBIN WINDER HOLDER ASSY		
3	XC2601051	TIMING PULLEY D			20	XC7898051	BW MOTOR ASSY		
4	014500532	SET SCREW SOCKET (CP) M5X5			21	125928050	BOBBIN WINDER SHAFT SPRING		
5	X52664050	LOWER SHAFT BUSHING			22	XC7902151	BOBBIN PRESSURE		
6	X51383050	WASHER, THRUST			23	XC7903051	BOBBIN PRESSURE GUIDE ASSY		
7	048060343	RETAINING RING E6		1000038911	24	137999050	POLYESTER SLIDER		
8	137768151	SET SCREW COLLAR			25	048030343	RETAINING RING E3		1000038911
9	014400432	SET SCREW SOCKET (CP) M4X4			26	XA9545051	SPRING		
10	XC2602051	JOINT			27	XC8254051	ASSY: BWSW D6		
11	012500532	SET SCREW SOCKET (FT) M5X5			28	XC8194051	BW SWITCH HOLDER		
12	XC2602051	JOINT			29	XC6055051	SCREW, BIND M3X3		
13	012500532	SET SCREW SOCKET (FT) M5X5			30	XC8371051	BOBBIN PRESSER COVER		
14	132421051	BUSHING PRESSER			31	136681051	TAPTITE, BIND B M3X8		
15	X57908052	TAPTITE, BIND S M4X10			32	137947001	CLIP		
16	XC2603050	DISK			33	XC7905051	TENSION GUIDE ASSY		
17	XC3183051	FELT			34	0A4300806	SCREW PAN (S/P WASHER) M3X8		
					35	XC7907251	THREAD GUIDE PLATE		
					36	XC7908051	SUB SPOOL STAND PIN		
					37	XC7909051	SUB SPOOL PIN HOLDER		
					38	XC7910051	NOTCH PLATE		
					39	XA9371051	SHAFT		
					40	XC6055051	SCREW, BIND M3X3		
					41	XA1786053	SPOOL PIN		
					42	X55260153	SPOOL PRESSER C		
					43	XC7911051	SPOOL PIN HOLDER B ASSY		
					44	136681051	TAPTITE, BIND B M3X8		
					45	085411015	TAPTITE BIND B M4X10		
					46	XC7912051	BOBBIN BASE ASSY	H	
					47	X80321001	NT LOWER THREAD CUTTER	H	
					48	XC7914051	BOBBIN THREAD CUTTER HOLDER		
					49	XC8432051	THREAD GUARD PLATE		
					50	087310816	TAPTITE CUP B M3X8		
					51	060400616	SCREW BIND M4X6		
					52	XD0597051	BOBBIN WINDER SUPPLY ASSY		

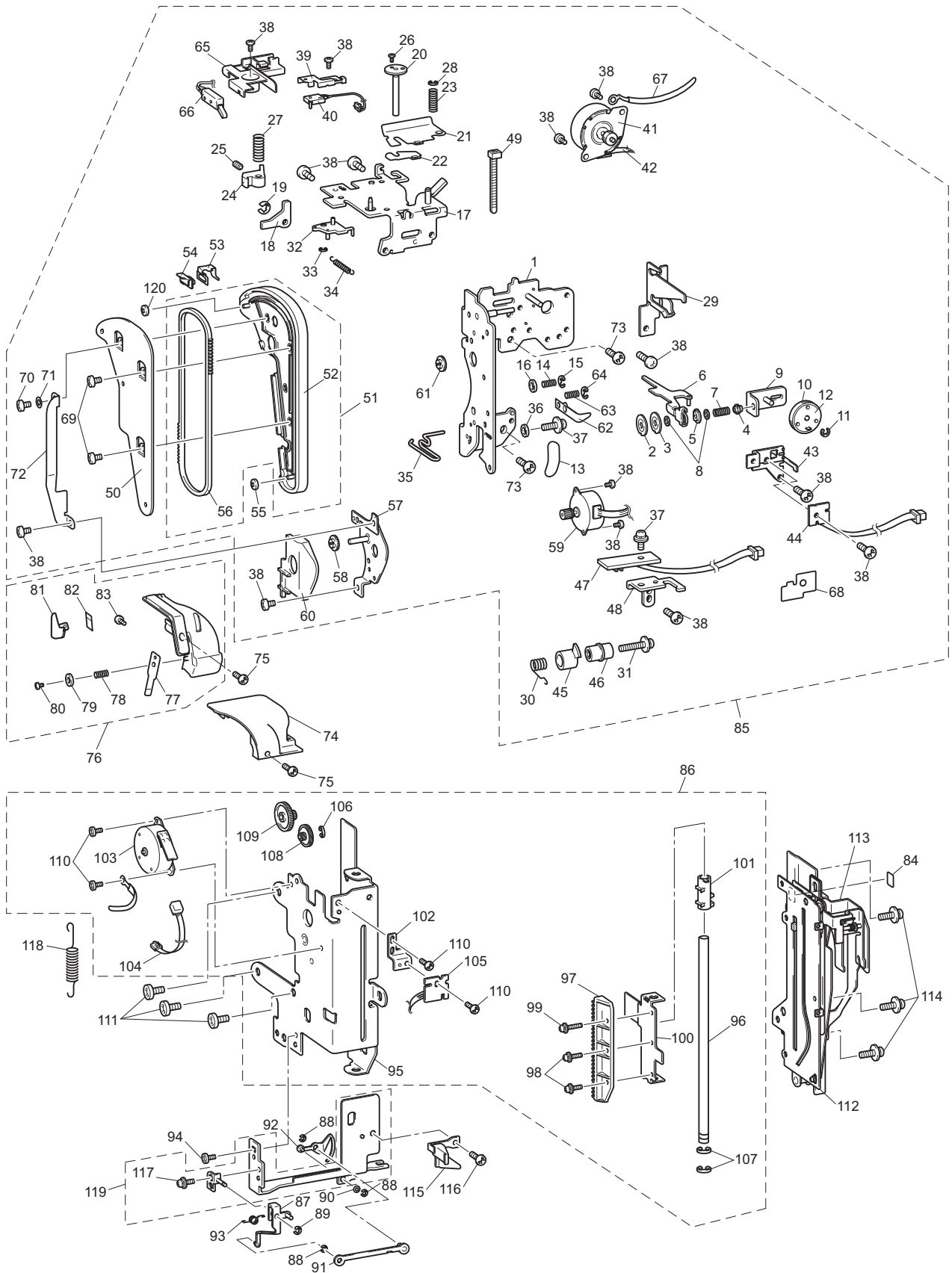
(5) NEEDLE THREADING / SHUTTLE THREADING MECHANISM



(5) NEEDLE THREADING / SHUTTLE THREADING MECHANISM

No.	CODE	NAME	R/H	REMARKS	No.	CODE	NAME	R/H	REMARKS
NEEDLE THREADING MECHANISM					44	XC8260051	ASSY: AT INIT PCB		
1	XC7917151	THREAD GUARD ASSEMBLY			45	X58316051	THREAD CUTTING SHUTTER	H	
2	XA0083151	TENSION DISC A	H		46	XA9585151	THREAD CATCHING SPRING CASE	H	
3	XC2626151	TENSION DISC B	H		47	XC8262051	ASSY: UPTHREAD PCB		
4	XC3437051	TENSION ADJUSTING SCREW			48	XC7934051	THREAD SENSOR HOLDER		
5	XA1388051	TENSION DISC WASHER			49	X53169050	BAND		
6	XC7920051	TENSION RELEASE PLATE ASSY			50	XC7941151	THREAD GUIDE BASE		1000027009
7	XA9900051	THREED TENSIONSFRING			51	XE6222001	BELT GUIDE SUPPLY ASSY		
8	XD0573051	WASHER			52	XC7942251	BELT GUIDE		1000027009
9	XA9562051	TENSION PLATE ASSY			53	XC7943051	THREAD HOOK		
10	XC7922050	THREED TENSION CAM			54	XC7944050	THREED HOOK SLIDER		
11	048030343	RETAINING RING E3		1000038911	55	XC7945050	ROLLER		1000027009
12	XC7923051	THREED TENSION GEAR COVER			56	XE5685001	BELT GE TG 20S2M264		
13	XA9935050	SPRING TAPE			57	XC7949051	TGPM HOLDER SUB ASSY		
14	X57605051	SPRING			58	XC7952050	IDLE GEAR		
15	048020343	RETAINING RING E2		1000038911	59	XC8267051	ASSY: TG PULSE MOTOR		
16	026030136	WASHER PLAIN S 3			60	XC7954050	TGPM COVER		
17	XC7925051	TENSION RELEASE HOLDER ASSY			61	XC7955050	DRIVING PULLEY		
18	XA9571051	TENSION RELEASER LINK			62	XC8572050	BRAKE PLATE		
19	048030343	RETAINING RING E3		1000038911	63	X57605051	SPRING		
20	XC2638151	TENSION PRESSURE ASSY			64	048020343	RETAINING RING E2		1000038911
21	XC9115151	TENSION PLATE			65	XC7947050	INITIAL SW HOLDER		
22	XC7927151	SPACER			66	XC8265051	ASSY: TG SW D6		
23	XA9577051	SPRING			67	137947001	CLIP		
24	XC2640051	TENSION RELEASE CAM			68	XC9271051	INSULATION SHEET FOR TGPM		
25	012300432	SET SCREW SOCKET (FT) M3X4			69	060300516	SCREW BIND M3X5		
26	X57363051	POWER LOCK 2X3			70	060300616	SCREW BIND M3X6		
27	X57605051	SPRING			71	026030136	WASHER PLAIN S 3		
28	048020343	RETAINING RING E2		1000038911	72	XD0707050	GUARD PLATE		
29	XC7928051	THREED GUIDE	H		73	085411015	TAPTITE BIND B M4X10		
30	XZ0386151	THREED TAKE UP SPRING	H		74	XC7936153	FRONT THREED GUARD COVER	H	
31	0A4301806	SCREW, PAN (S/P WASHER) M3X18			75	0A5300606	SCREW, PAN (S/P WASHER) M3X6		
32	XC7929050	PRESSER SW LINK			76	XC8412151	THREED GUIDE COVER A ASSY		
33	048030343	RETAINING RING E3		1000038911	77	XC8414051	THREED HOLD PLATE		
34	XC7930051	SPRING			78	XC8935051	SPRING, COMPRESSION		
35	XC7931050	THREED GUIDE WIRE	H		79	XC8949051	WASHER 2.1X8		
36	XA9996051	WASHER, PLAIN			80	083210615	TAPTITE PAN B M2X6		
37	XC7564051	SCREW, PAN(S/P WASHER)M3X6			81	XC8411051	CUTTER HOLDER		
38	060300416	SCREW BIND M3X4			82	X80321001	NT LOWER THREED CUTTER		
39	XC7932051	PRESSER SWITCH HOLDER			83	085310616	TAPTITE BIND B M3X6		
40	XC8256051	ASSY: PFSW D6			84	XC8574151	PILE		
41	XD0804051	ATPM INSULATION ASSY							
42	XC8259051	ASSY: ATPM LEAD WIRE			85	XD1019252	THREED UNIT D6 SUPPLY ASSY		
43	XC7933051	ATPM SENSOR PLATE			86	XD1021252	THREED DRIVE UNIT SUPPLY ASSY		

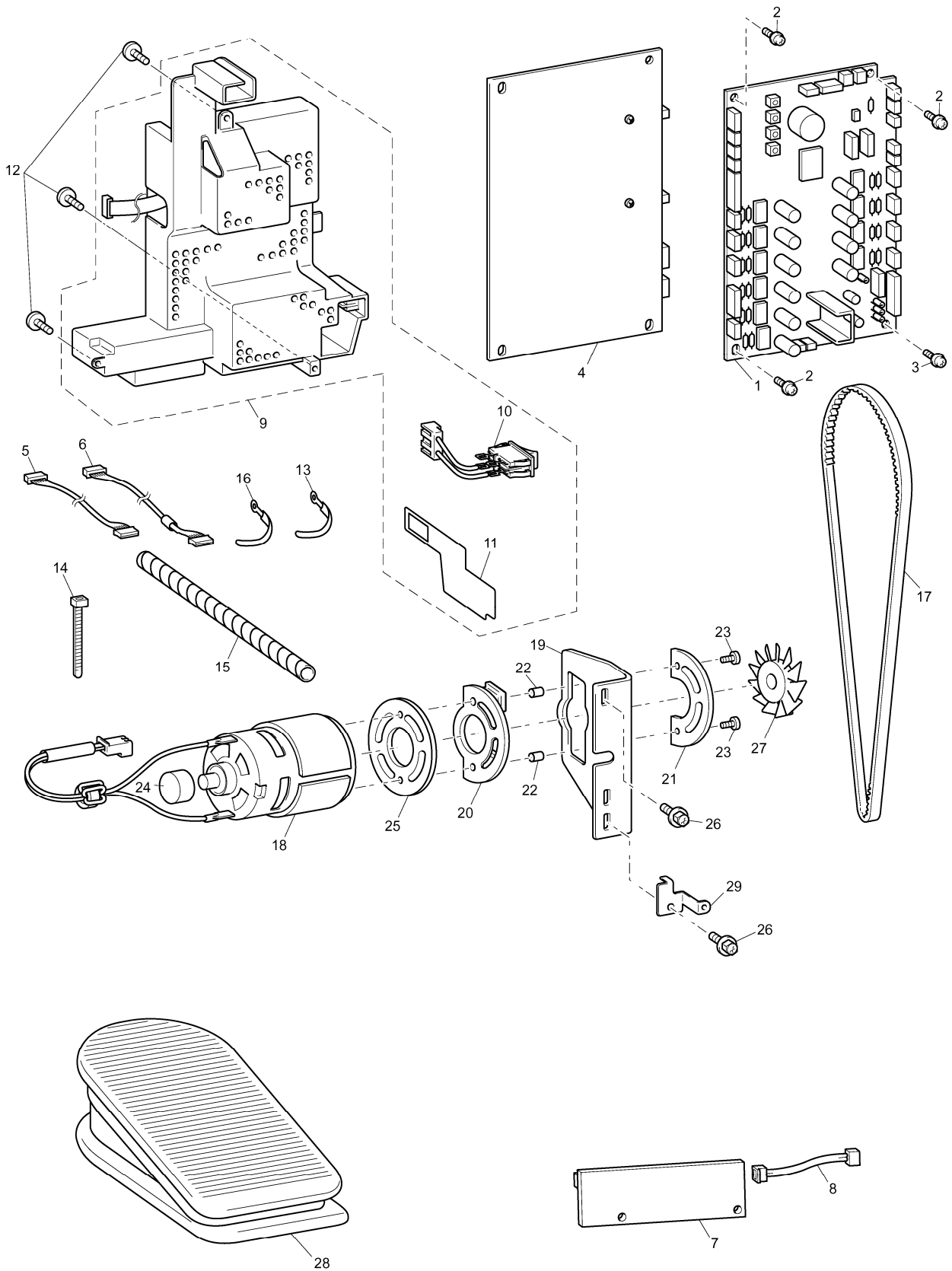
(5) NEEDLE THREADING / SHUTTLE THREADING MECHANISM



(5) NEEDLE THREADING / SHUTTLE THREADING MECHANISM

No.	CODE	NAME	R/H	REMARKS
SHUTTLE THREADING				
87	XC7958051	LINK PLATE A ASSY		
88	048020343	RETAINING RING E2		1000038911
89	048030343	RETAINING RING E3		1000038911
90	XZ0399051	WASHER		
91	XC7962051	LINK PLATE B ASSY		
92	XC7964051	THREAD GUIDE PLATE ASSY		
93	XC7966051	SPRING		
94	060300616	SCREW BIND M3X6		
95	XC7972051	UNIT ASSY		
96	XC7976051	GUIDE SHAFT		
97	XE5629001	RACK D6		
98	0A1300806	SCREW PAN (P WASHER) M3X8		
99	0A1301206	SCREW PAN (P WASHER) M3X12		
100	XC7978151	SLIDER		
101	XC7979050	TRIGGER		
102	XC7980051	SENSOR HOLDER		
103	XC9289051	THPM INSULATION ASSY		
104	XC8268051	ASSY: THPM LEAD WIRE		
105	XC8269051	ASSY: ATTHD INIT PCB		
106	048025343	RETAINING RING E2.5		1000038911
107	048030343	RETAINING RING E3		1000038911
108	XC7982050	IDLE GEAR A		
109	XE5630001	DRIVE GEAR A D6		
110	060300416	SCREW BIND M3X4		1000032512
111	085411015	TAPTITE BIND B M4X10		
112	XC9250251	THREAD GUIDE BASE SUPPLY ASSY		
113	XC7940151	THREAD GUIDE COVER B		
114	XC7644051	SCREW, PAN (S/P WASHER) M3X5		1000032512
115	XC8609251	PILE HOLDER ASSY		
116	008300404	SCREW TRUSS M3X4		
117	0A4300606	SCREW, PAN (S/P WASHER) M3X6		1000034571
118	X52005151	SPRING		
119	XD1573151	THREAD GUIDE BASE SUPPLY ASSY		
120	XF1458001	ROLLER U		1000027009

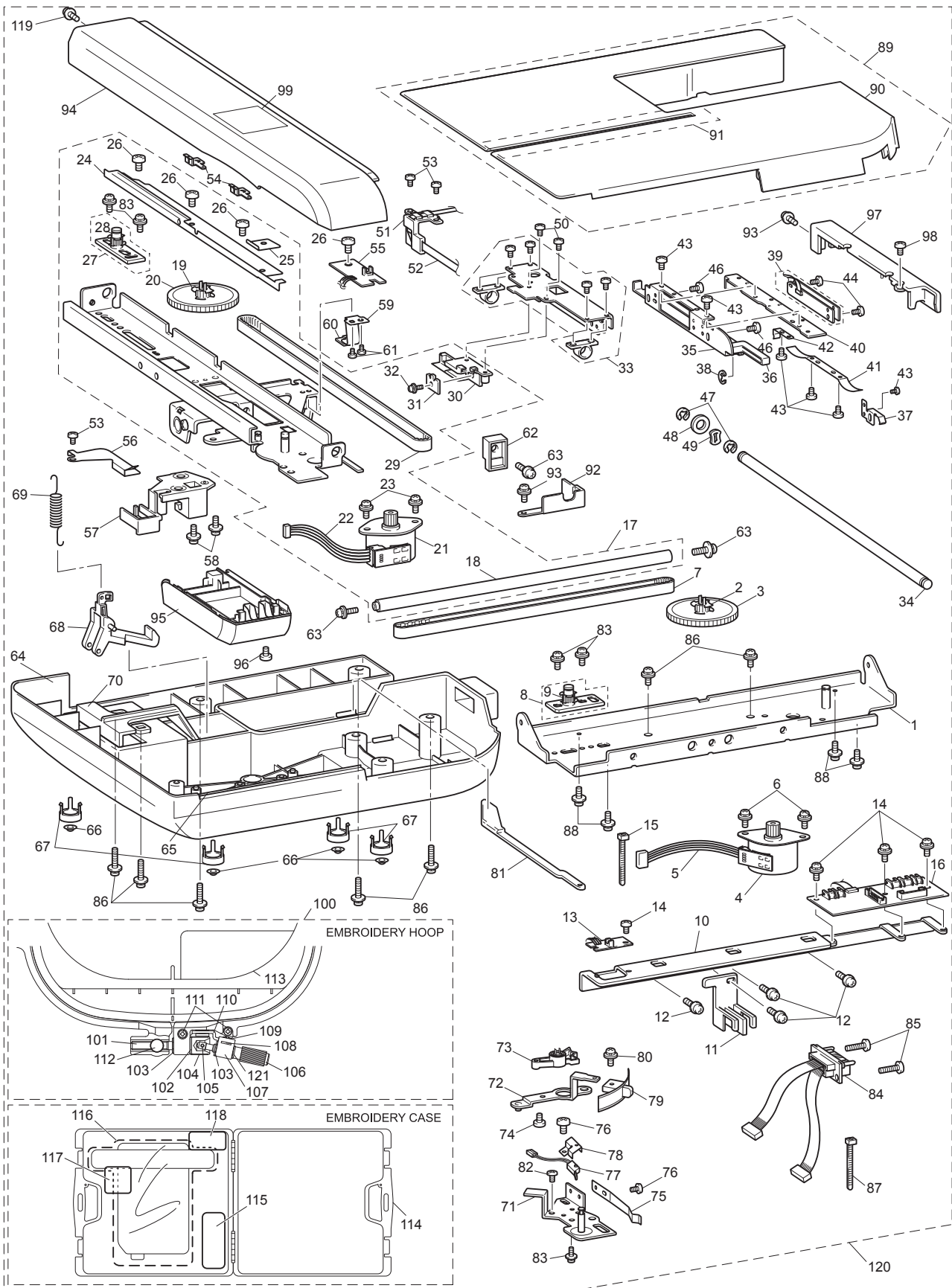
(6) ELECTRIC PARTS / MAIN MOTOR UNIT



(6) ELECTRIC PARTS / MAIN MOTOR UNIT

No.	CODE	NAME	R/H	REMARKS	No.	CODE	NAME	R/H	REMARKS
ELECTRIC PARTS					MAIN MOTOR UNIT				
1	XC8675051	SUPPLY ASSY: MAIN PCB	R		17	XA9644050	T BELT	H	
2	136681051	TAPTITE, BIND B M3X8			18	XC8294051	ASSY: MAIN MOTOR	H	
3	060300616	SCREW BIND M3X6			19	XC8027051	MOTOR HOLDER		
4	XC8676151	SUPPLY ASSY: PANEL PCB B	R		20	XA9649050	FENDER RUBBER		
5	XC8288051	MAIN-PANEL LEAD WIRE A			21	XA9650051	MOTOR SPACER PRESSER		
6	XC8289051	MAIN-PANEL LEAD WIRE B			22	XC0443051	SPACER 4X7		
7	XE2041001	INVERTER ASSY D6H			23	052401605	SCREW, PAN (S/P WASHER) M4X16		
8	XC8291051	INVERTER LEAD WIRE			24	XC6481051	MOTOR CAP		
9	XC8352051	POWER SUPPLY UNIT, D6EU (AC220-240V)	R	1000028409	25	XC5763051	MOTOR HOLDER SPACER		
	XC8292151	POWER SUPPLY UNIT, D6US (AC100-120V)	R	1000028409	26	XA8474051	UPSET 4X12 DB		
10	XC7630051	ASSY: POWER SWITCH D6			27	XA9652150	MOTOR FAN	H	
11	XZ0389051	INSULATOR SHEET S			28	XD0500151	FOOT CONTROLLER : FC-321-LF-EU (EUROPE)		
12	XC7568051	SCREW, PAN (S/P WASHER) M4X14				XC8028051	FOOT CONTROLLER : FC-321-81-LF (OTHER)		
13	137947001	CLIP			29	XC8029051	PCB HOLDER R		
14	X53169050	BAND							
15	XC5069051	SPIRAL TUBE A							
16	T31049001	COATING CLIP CS-6							

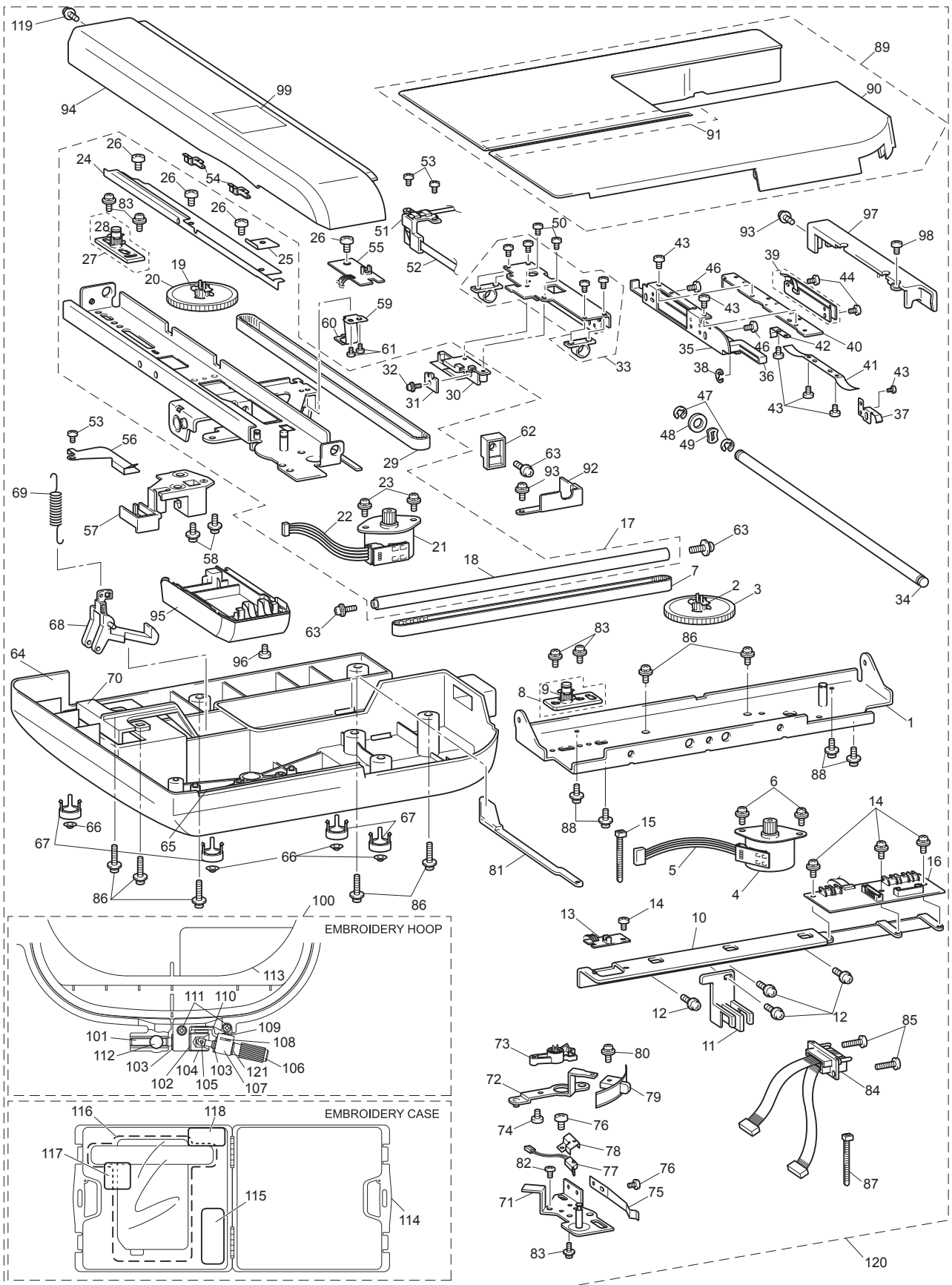
(7) EMBROIDERY UNIT



(7) EMBROIDERY UNIT

No.	CODE	NAME	R/H	REMARKS	No.	CODE	NAME	R/H	REMARKS
1	XC8035051	MAIN FRAME SUB ASSY			45	XC8859051	INSULATOR SHEET		1000042138
2	XC8038050	DRIVING PULLEY			46	060400616	SCREW BIND M4X6		
3	XC8039050	DRIVING GEAR			47	XC8080051	STOP RING 10.69		
4	XC8298051	ASSY: XY PULSE MOTOR			48	XC8081051	WASHER		
5	XC8299051	ASSY: XPM LEAD WIRE			49	XC8082050	WASHER, SPRING 12		
6	XA8390051	SCREW			50	085301017	TAPTITE BIND P M3X10		
7	XC8041051	TIMING BELT 40S2M530			51	XC8084050	FFC SUPPORT		
8	XC8042051	TENSION PULLEY ASSY			52	XC8310051	FLEXIBLE FLAT CABLE: SML2CD-6		
9	XC8045050	TENSION PULLEY			53	060300616	SCREW BIND M3X6		
10	XC8046051	X GUIDE PLATE			54	XC8085050	CORD CLIP		
11	XC8047050	E CODE SUPPORTER			55	XC8311051	ASSY: Y SENSOR PCB		
12	XC7566051	SCREW, PAN (S/P WASHER) M4X8			56	XC8086050	CODE GRIP		
13	XC8300051	ASSY: X SENSOR PCB			57	XC8087151	X SLIDER		1000032891
14	060300616	SCREW BIND M3X6			58	XC7566051	SCREW, PAN (S/P WASHER) M4X8		
15	X53169050	BAND			59	XC8898051	X GUIDE SHAFT PRESSER PLATE		
16	XC8303051	ASSY: EMB RELAY PCB			60	XC8899050	X GUIDE SHAFT PRESSER		
17	XC8049051	X CARRIAGE UNIT			61	060300416	SCREW BIND M3X4		
18	XC8050052	X GUIDE SHAFT		1000047099	62	XC8088051	X BELT PRESSER		
19	XC8038050	DRIVING PULLEY			63	XC7566051	SCREW, PAN (S/P WASHER) M4X8		
20	XC8039050	DRIVING GEAR			64	XC7697051	ES BASE COVER		
21	XC8298051	ASSY: XY PULSE MOTOR			65	XC8093051	GROOVE COVER		
22	XC8306051	ASSY: YPM LEAD WIRE			66	X59853050	RUBBER CUSHION		
23	XA8390051	SCREW			67	XC8094051	RUBBER CUSHION COVER		
24	XC8058050	FFC CODE GUIDE			68	XC8095051	LOCK FINGER		
25	XC8586050	FFC CODE SUPPORTER			69	XC8096051	SPRING		
26	060300616	SCREW BIND M3X6			70	XC8097051	LOCK RELEASE LEVER		
27	XC8042051	TENSION PULLEY ASSY			71	XC8099051	DROP LEVER SUPPORT ASSY		
28	XC8045050	TENSION PULLEY			72	XC8102051	DROP LEVER CALKING ASSY		
29	XC8059051	TIMING BELT 40S2M740			73	XC8105050	NOTCHED CAM		
30	XC8061051	Y SLIDER			74	085301017	TAPTITE BIND P M3X10		
31	XC8062051	YT BELT PRESSER PLATE			75	XC8107051	DROP NOTCHED PLATE		
32	XC7566051	SCREW, PAN (S/P WASHER) M4X8			76	060300616	SCREW BIND M3X6		
33	XC8065251	Y CARRIAGE ASSY		1000030240	77	XC8313051	ASSY DROP SW		
34	XC8068051	Y GUIDE SHAFT			78	XC8108051	DROP SW HOLDER		
35	XC8070151	E HOOP STAY PLATE SUB ASSY			79	XC8106051	DROP KNOB		
36	XC8074051	E HOOP LOCK LEVER			80	XA8390051	SCREW		
37	XC8075051	E HOOP LOCK LEVER SPRING			81	XC8109051	DROP CONNECTION ROD		
38	048040343	RETAINING RING E4		1000038911	82	085301017	TAPTITE BIND P M3X10		
39	XC8307151	ASSY: FRAME PCB		1000042138	83	XC7566051	SCREW, PAN (S/P WASHER) M4X8		
40	XC8076051	E HOOP PRESSURE PLATE			84	XC8315051	ASSY, EMB UNIT LEAD WIRE		
41	XC8077051	E HOOP PRESSURE SPRING A			85	085301616	TAPTITE BIND P M3X16		
42	XG0436001	E HOOP PRESSURE SPRING C		1000042955	86	087411416	TAPTITE CUP B M4X14		
43	060300416	SCREW BIND M3X4			87	X53169050	BAND		
44	XA8390051	SCREW			88	XC7566051	SCREW, PAN (S/P WASHER) M4X8		1000030200

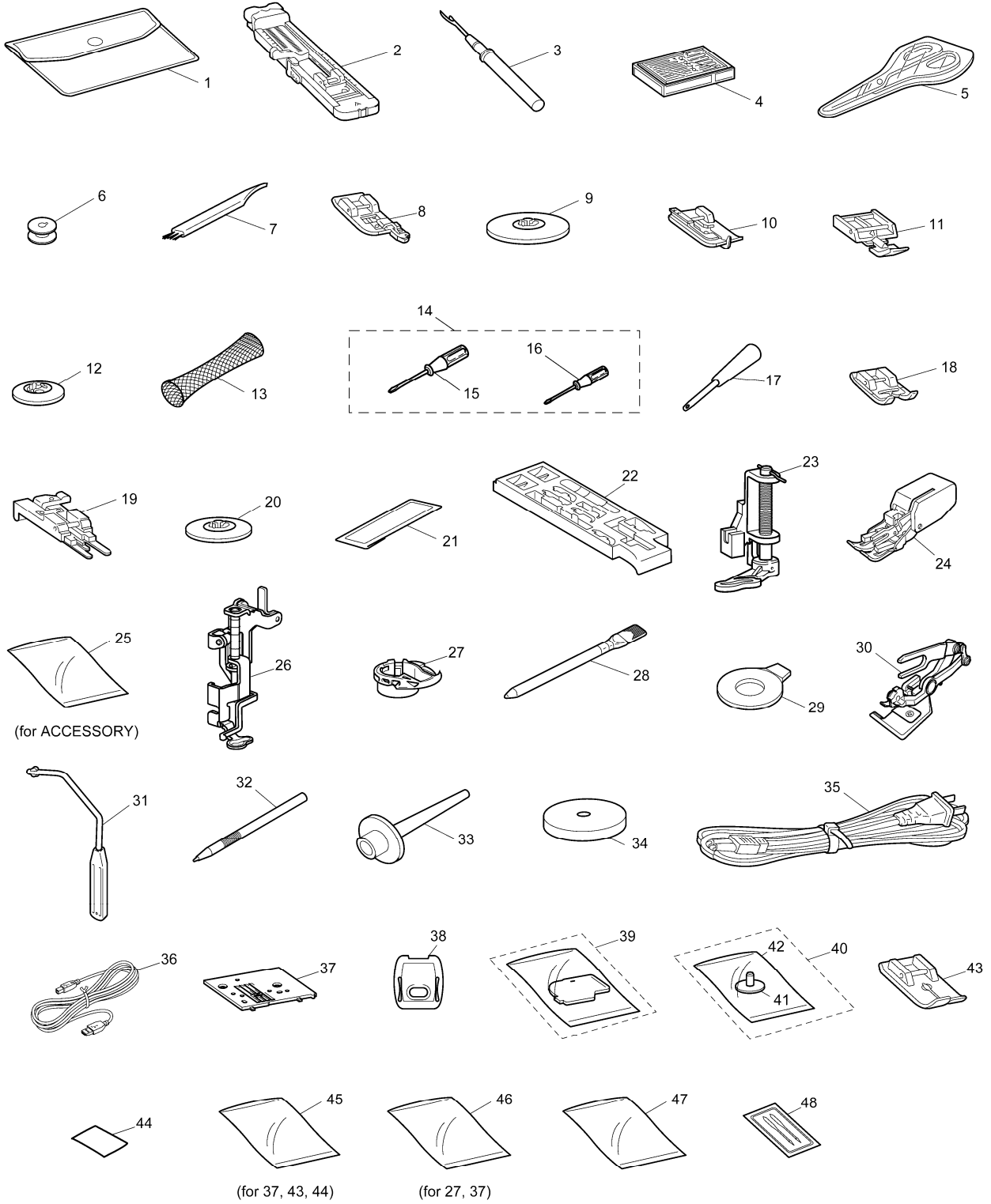
(7) EMBROIDERY UNIT



(7) EMBROIDERY UNIT

No.	CODE	NAME	R/H	REMARKS
89	XC8110051	ES MAIN COVER ASSY		
90	XC7698051	ES MAIN COVER		
91	XC8093051	GROOVE COVER		
92	XC8112251	XC SUB COVER		
93	XA8390051	SCREW		
94	XC7700051	X CARRIAGE COVER		
95	XC7699151	YPM COVER		
96	085301017	TAPTITE BIND P M3X10		
97	XC8089151	E HOOP STAY COVER		
98	060300416	SCREW BIND M3X4		
99	XC8666051	LOCK LEVER SEAL		
100	XC8115051	EMBROIDERY HOOP ASSY 60D6		
101	XC8118051	THUMB SCREW		
102	026050136	WASHER PLAIN S 5		1000051778
103	048040343	RETAINING RING E4		1000038911
104	XC8119051	RING		
105	XC8120051	KNOB PIN		
106	XC8121051	KNOB SHAFT		
107	XC8122051	KNOB HOLDER		
108	XC8123051	KNOB FIXED PLATE		
109	060260416	SCREW BIND M2.6X4		
110	XC8124051	HOLDER ASSY		
111	0A4260806	SCREW PAN (S/P WASHER) M2.6X8		
112	XC8129051	OUTER HOOP NUT		
	XC2222051	BAG 180X300		
113	XC8355051	EMBROIDERY SHEET 60D6 ASSY		
	XC8147151	EMBROIDERY SHEET 180D6 ASSY		1000052020
	XA8580051	BAG, 80X110		
114	XC8150051	CARRYING CASE		
115	XD0975051	BUILT IN LID		
116	X60439151	BAG, 630X630T		
117	XC8151051	CARRIAGE PAD A D		
118	XC8936051	CARRIAGE PAD B D		
	XZ0404150	EMBROIDERY UNIT PAD D		
119	0A6400806	SCREW PAN (T WASHER) M4X8		1000030200
120	XC8031251	EMBROIDERY UNIT ASSEMBLY		1000025686
121	XG4525001	BEND WASHER		1000051571

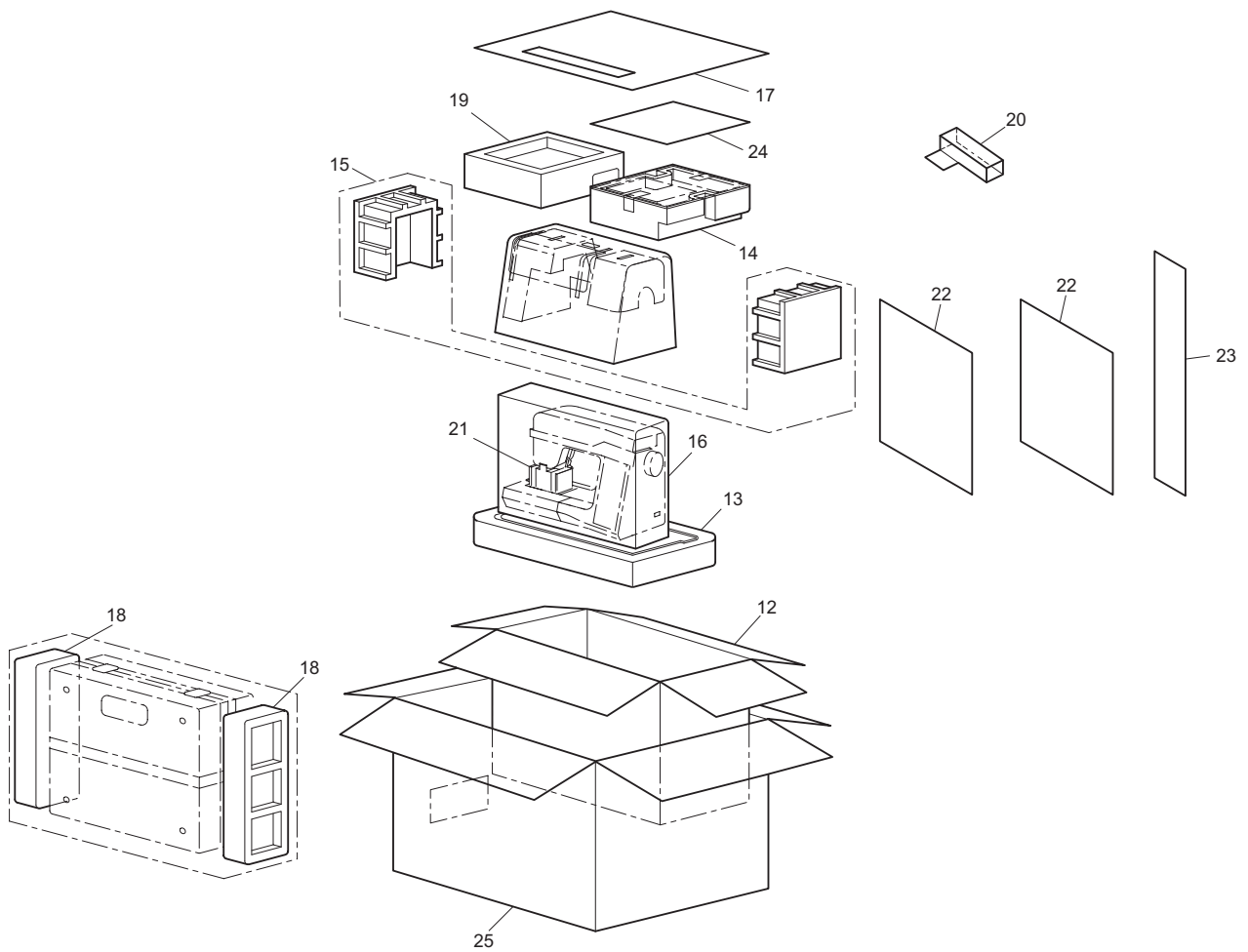
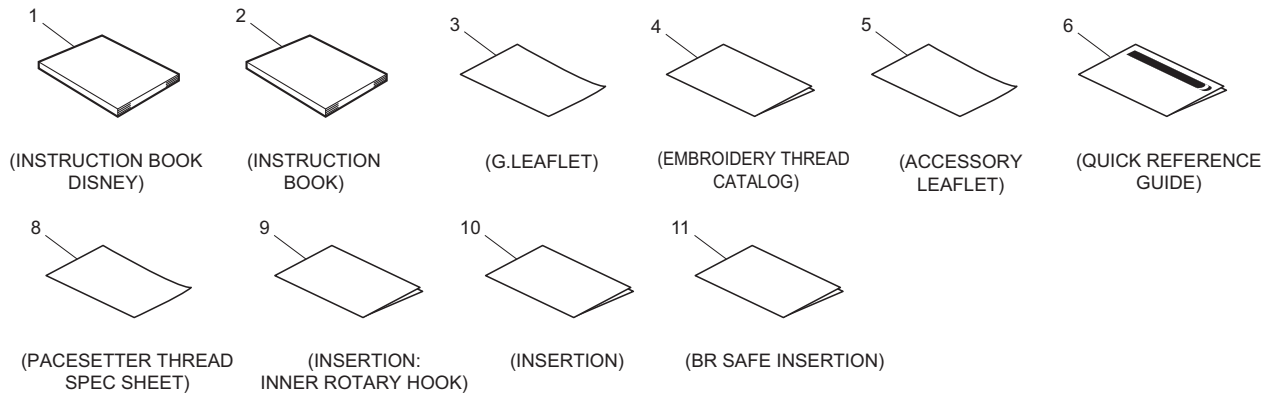
(8) ACCESSORY PARTS



(8) ACCESSORY PARTS

No.	CODE	NAME	R/H	REMARKS	No.	CODE	NAME	R/H	REMARKS
1	XC4487021	ACCESSORY BAG			38	XD1644051	NEEDLE PLATE COVER SUPPLY ASSY		
2	X57789351	BH PRESSER FOOT		1000040038	39	XE8991101	CORD GUIDE COVER SUPPLY ASSY		1000031544
3	XF4967001	RIPPER ASSY		1000032269	40	XF5048001	BOBBIN GUIDE SET (BRA, TWN)		1000033340
4	X58358051	Z NEEDLE ASSY			41	XD0835051	BOBBIN GUIDE ASSY (BRA, TWN)		
5	XF2052001	SCISSORS		1000044653	42	X60838051	BAG, 70X110C (BRA, TWN)		
6	X52800150	BOBBIN			43	XD0826051	STRAIGHT STITCH FOOT		
7	X59476051	CLEANING BRUSH			44	XD0795151	ST FOOT INSERTION		
8	XC3098051	OVERCASTING STITCH FOOT ASSY			45	X60687150	BAG, 95X135		
9	130012054	SPOOL PRESSER A			46	XE5132001	BAG_100X100		1000027727
10	X56409051	BLIND STITCH FOOT ASSY			47	XZ0126051	BAG 140X150C		
11	X59370051	ZIPPER FOOT			48	XD0705151	NEEDLE SET EMB		1000038376
12	130013154	SPOOL PRESSER B							
13	XA5523050	NET							
14	XE0243001	SCREW DRIVER ASSY							
15	XC8349021	SCREW DRIVER							
16	X55468021	SCREW DRIVER S							
17	XZ5051001	PUNCH		1000027122					
18	X53840351	TRANSPARENCY PRESSER FOOT							
19	130489001	BUTTONING FOOT							
20	X55260153	SPOOL PRESSER C							
21	X59296151	TWIN NEEDLE (1PC)							
22	XC7701051	ACCESSORY TRAY							
23	XE8786101	QUILTING FOOT		1000025739					
24	X59816103	WALKING FOOT ASSEMBLY							
25	XA0188050	BAG 260X375HC							
26	XC8156651	W PRESSER UNIT							
27	XC8167651	INNER ROTARY HOOK ASSY	H	1000053475					
28	XE8568001	CHALK PEN							
29	XC1074051	DISC-SHAPED SCREWDRIVER							
30	XC3198101	SIDE CUTTER ASSY							
31	XA6941052	KNEE LIFTER LEVER ASSY							
32	XA9940051	TOUCH PEN							
33	XC8619052	EXTRA SPOOL PIN		1000032235					
34	X57045051	SPOOL FELT							
35	XD0225051	POWER SUPPLY CORD: TWN (TWN)	H						
	XF0749101	POWER SUPPLY CORD: BRZ (BRA)	H	1000029467					
	XC6052051	POWER SUPPLY CORD:UL CSA-LF (USA, CAN)	H						
	X59354151	POWER SUPPLY CORD BS (UK, IRE)	H						
	XC9548051	POWER SUPPLY CORD:SAA-LF (AUS&NZL)	H						
	XD0111151	POWER SUPPLY CORD:IRAM (ARG)	H						
	XA0070151	POWER SUPPLY CORD (OTHER)	H						
36	XD0745051	USB I/F CORE CABLE							
37	XC8362251	STRAIGHT NEEDLE PLATE A ASSY		1000029592					

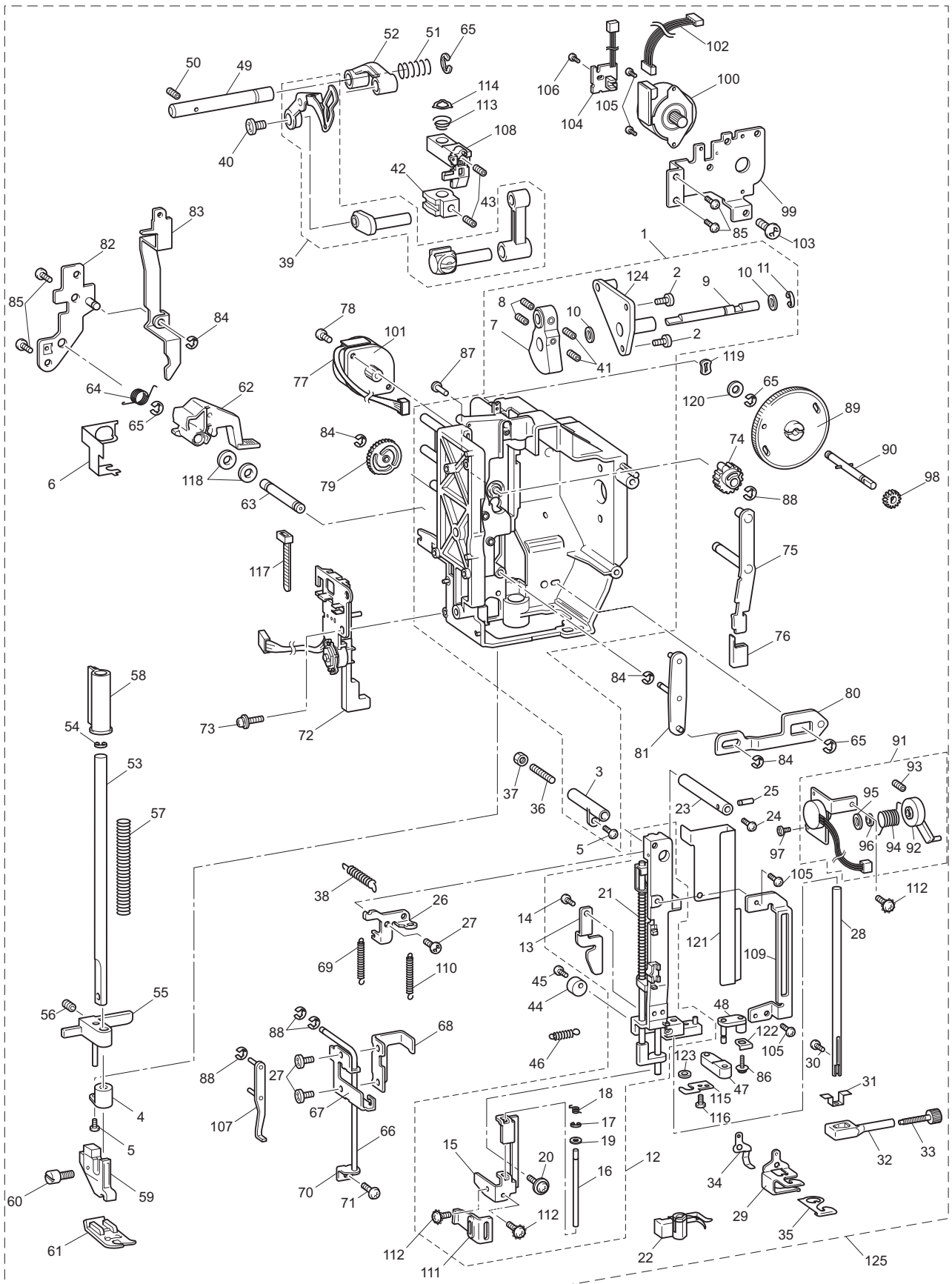
(9) USER MANUAL / OTHER PARTS / PACKAGE



(9) USER MANUAL / OTHER PARTS / PACKAGE

No.	CODE	NAME	R/H	REMARKS
USER MANUAL / OTHER PARTS				
1	XC8171251	INSTRUCTION BOOK DISNEY	R	1000031537
2	XC8696051	INSTRUCTION BOOK SPA (Spanish)	R	
	XD0784151	INSTRUCTION BOOK ENG (English)	R	
	XD0790051	INSTRUCTION BOOK CHN (Chinese)	R	
	XE4532101	INSTRUCTION BOOK BR (Portuguese)	R	1000028621
3	XE3822001	G.LEAFLET NO.1-78 (TWN)		1000027310
4	XD0576051	EMBROIDERY THREAD CATALOG		
5	XG6550001	ACCESSORY LEAFLET 8 PT		
6	XC8173051	QUICK REFERENCE GUIDE	R	
7	XE3823001	DISNEY CARD CATALOG NO.1-24 (CHL, BRA)		1000027310
8	XC9125051	PACESETTER THREAD SPEC SHEET (CHL, BRA)		
9	XE8541001	INSERTION (for INNER ROTARY HOOK & INNER ROTARY HOOK BRACKET)		
10	XE3485001	INSERTION		
	XE2761001	INSERTION (TWN)		
11	XF0726001	BR SAFE INSERTION (BRA)		1000025726
PACKAGE				
12	XC8175050	CARTON	R	
13	XD1466350	BODY SUPPORT POLYSTYRENE	R	1000031522
14	XD1845150	CUSHIONING PS FOAM PAD TOP	R	1000044818
15	XD1805150	POLYSTYRENE FOAM PAD ASSY,CASE	R	1000031522
16	XC8535051	BAG 800X600T		
17	XC8186050	PAD D	R	
18	XC9671450	POLYSTYRENE FOAM PAD, ES	R	1000031522
19	XC9562350	CUSHIONING PS FOAM PAD TOP B	R	1000044818
20	XC8617050	CORD PAD D	R	
21	XC9195350	SHUTTLE SUPPORT POLYSTYRENE	R	1000031522
22	XZ0400150	SIDE PAD D	R	
23	XZ0402050	SHEET, 150X530		
24	XZ0393050	PAD D MIDDLE	R	
25	XE0797001	CARTON SUPPLY ASSY	R	

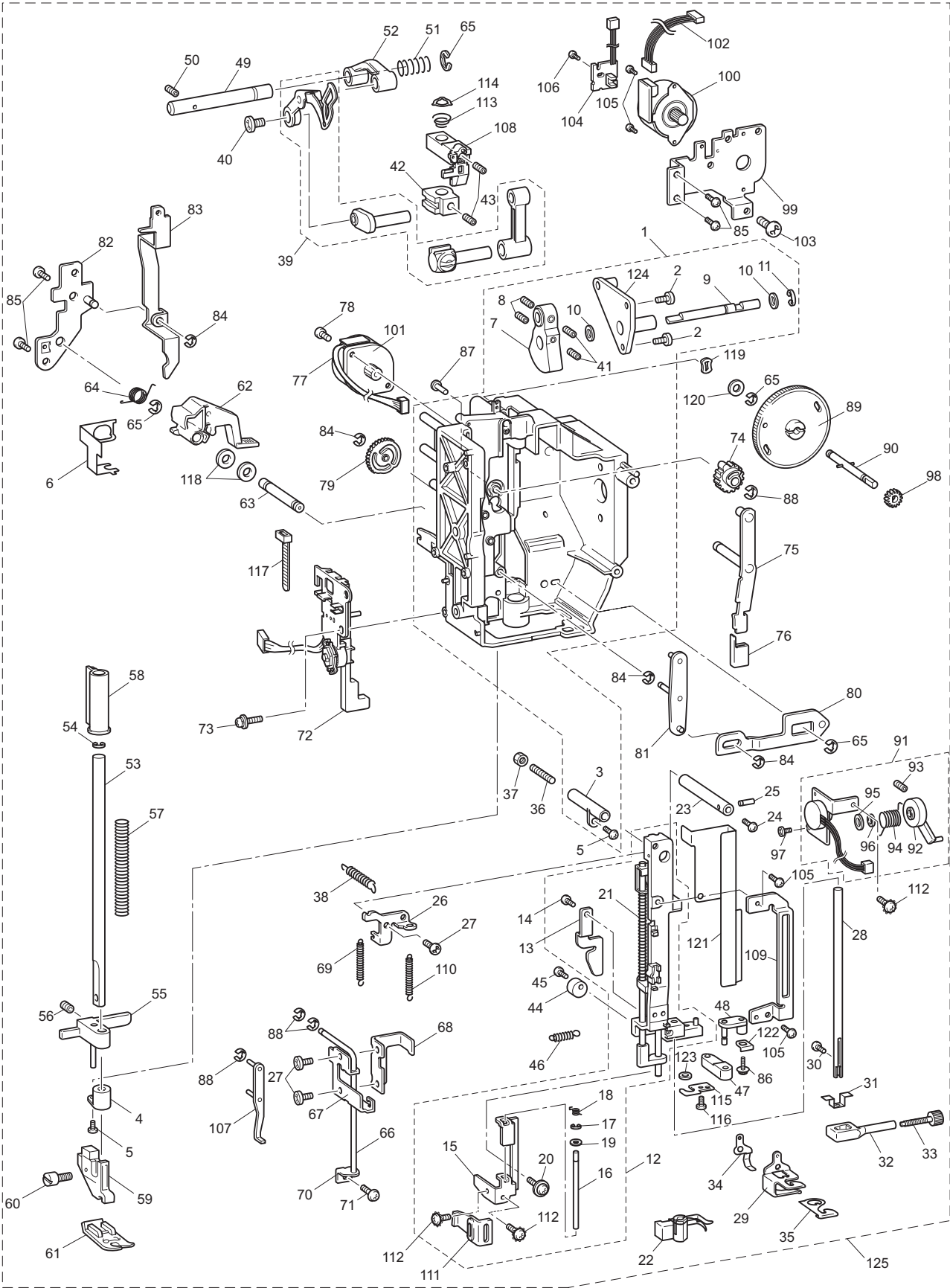
NEEDLE-PRESSER MODULE



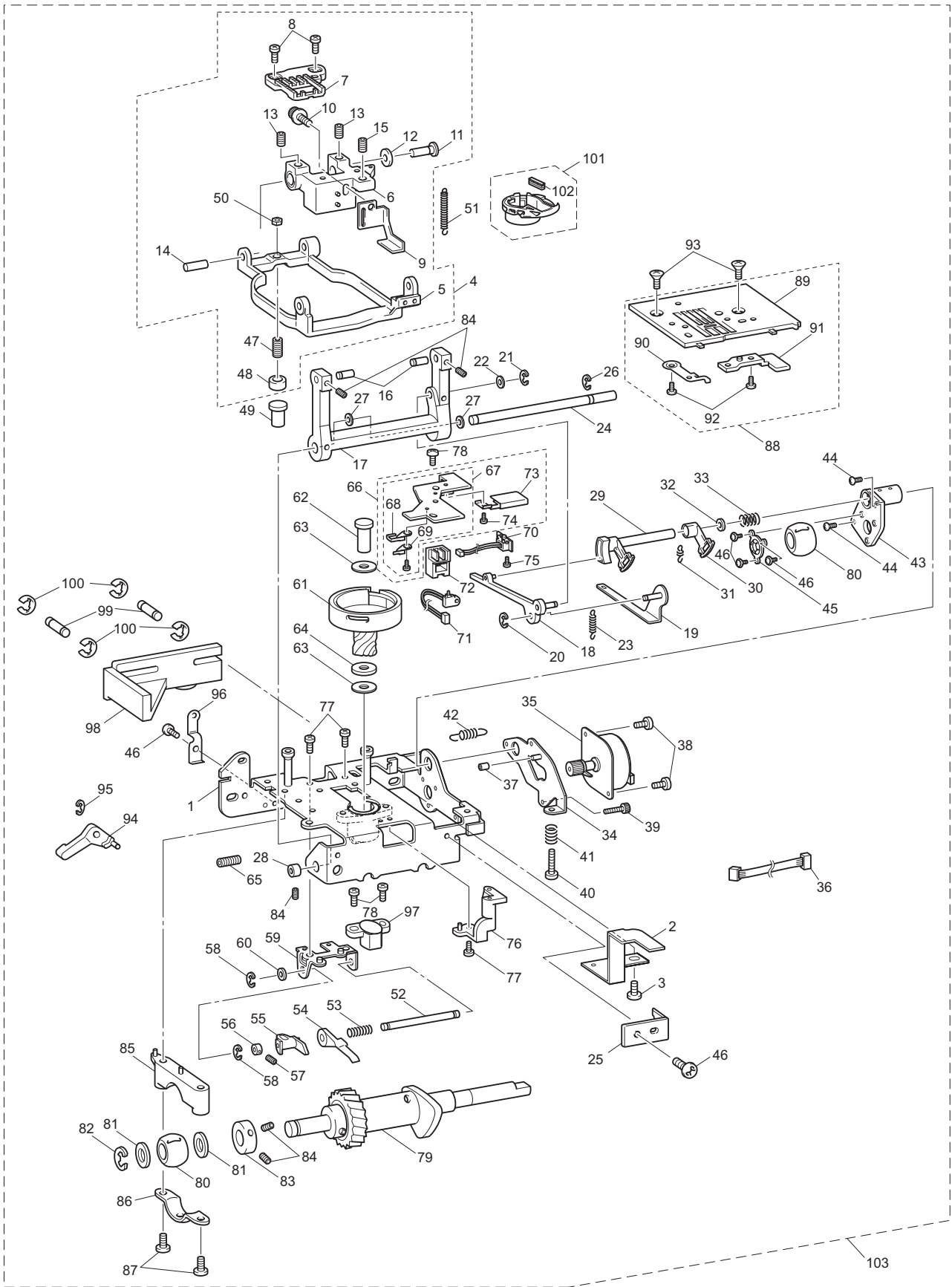
NEEDLE-PRESSER MODULE

No.	CODE	NAME	R/H	REMARKS	No.	CODE	NAME	R/H	REMARKS
1	XC8275051	UPPER SHAFT HOLDER ASSY			45	018301032	BOLT SOCKET M3X10		
2	XC7568051	SCREW, PAN(S/P WASHER)M4X14			46	XC2748021	SPRING-Z		
3	XC2398020	SHAFT BUSHING A			47	XC7802051	NEEDLE HOLDER BROCK		
4	XC2399021	PRESSER BAR BUSHING			48	XC7803151	H SHAFT HOLDER ASSY		
5	136681051	TAPTITE, BIND B M3X8			49	XC8374051	SHAFT		
6	XC5362050	PLATE SPRING			50	014300532	SET SCREW SOCKET (CP) M3X5		
7	XC7784051	THREAD TAKE-UP COUNTER WEIGHT			51	XC2441021	SPRING		
8	012500532	SET SCREW SOCKET (FT) M5X5			52	XC2443020	THREAD TAKE-UP LEVER LINK		
9	XC7785051	UNIT SHAFT			53	XC7806051	PRESSER BAR		
10	131976050	WASHER, THRUST			54	048050343	RETAINING RING E5		1000038911
11	048080343	RETAINING RING E8		1000038911	55	XC7807051	PRESSER BAR CLAMP ASSY		
12	XC7786151	NEEDLE BAR SUPPORTER ASSY	H	1000032241	56	014501032	SET SCREW SOCKET (CP) M5X10		
13	XC7793051	HOOK RELEASE PLATE			57	XC7810051	SPRING		
14	060260516	SCREW BIND M2.6X5			58	XC7811150	PRESSER FOOT RACK		1000030223
15	XC3446051	RELEASE LEVER			59	XC3015051	PRESSER FEED HOLDER ASSY	H	
16	XC3447051	RELEASE LEVER SHAFT			60	XA4813051	SCREW	H	
17	048025343	RETAINING RING E2.5		1000038911	61	XC3021051	Z FOOT		
18	XC3448051	RELEASE LEVER SPRING			62	XC7812051	PRESSER FOOT LIFTER	H	
19	137977051	POLYESTER SLIDER			63	XC2452051	PRESSER LIFT SHAFT		
20	0A5300806	SCREW PAN (S/P WASHER) M3X8		1000028604	64	XC7813051	SPRING		
21	XC8485051	SPRING			65	048040343	RETAINING RING E4		1000038911
22	XC7794051	HOOK ASSY	H		66	XC2453051	LEVER GUIDE SHAFT		
23	XC2419021	SHAFT			67	XC7814051	LEVER AB		
24	000020416	SCREW BIND M2X4			68	XC7815051	NEEDLE THREADER DRIVING PLATE		
25	XC2420050	SHAFT			69	XC7816051	SPRING		
26	XD1488051	PLATE			70	XC7817051	LEVER SUPPORTER PLATE		
27	060300516	SCREW BIND M3X5			71	136681051	TAPTITE, BIND B M3X8		
28	XC7799151	NEEDLE BAR	H		72	XC7787151	BH SWITCH ASSY		1000042916
29	XC8654051	NEEDLE BAR THREAD GUIDE			73	XZ0149051	TAPTITE, PAN B 4X12		
30	X53053052	SCREW SM2.38			74	XC7818150	Z ZIGZAG CAM		
31	XC2426020	NEEDLE THREAD PLATE			75	XC7819051	Z ZIGZAG LEVER ASSY		
32	XC3554051	NEEDLE BLOCK			76	XC2480020	Z LEVER CUP		
33	XZ0388251	NEEDLE CLAMP SCREW	H		77	XC8225051	ASSY: ZPM LEAD WIRE		
34	XC4162021	NEEDLE BLOCK SUPPORTER			78	X59629051	TAPTITE, BIND B M3X10		
35	XC8655051	SUPPORT SPRING			79	XC2483020	T CAM		
36	014401232	SET SCREW SOCKET (CP) M4X12			80	XC7822051	TENSION RELEASE ROD ASSY		
37	X56851051	LOCK NUT			81	XC5985051	THREAD RELEASE LEVER ASSY D6		
38	XC2429021	SPRING			82	XC7824051	ADJUSTING PLATE ASSY		
39	XF1087001	NEEDLE BAR CRANK R SUPPLY ASSY	H	1000026506	83	XC7826051	TENSION RELEASE PLATE C		
40	132051052	SCREW, FLAT SM3.57-40X7 L			84	048030343	RETAINING RING E3		1000038911
41	012500532	SET SCREW SOCKET (FT) M5X5			85	085411015	TAPTITE BIND B M4X10		
42	XC2434021	NEEDLE THREAD BLOCK			86	XC3037051	SCREW3X10		
43	012400432	SET SCREW SOCKET (FT) M4X4			87	XC2475051	SHAFT		
44	XC2435050	ZIGZAG ADJUSTING NUT			88	048020343	RETAINING RING E2		1000038911

NEEDLE-PRESSER MODULE



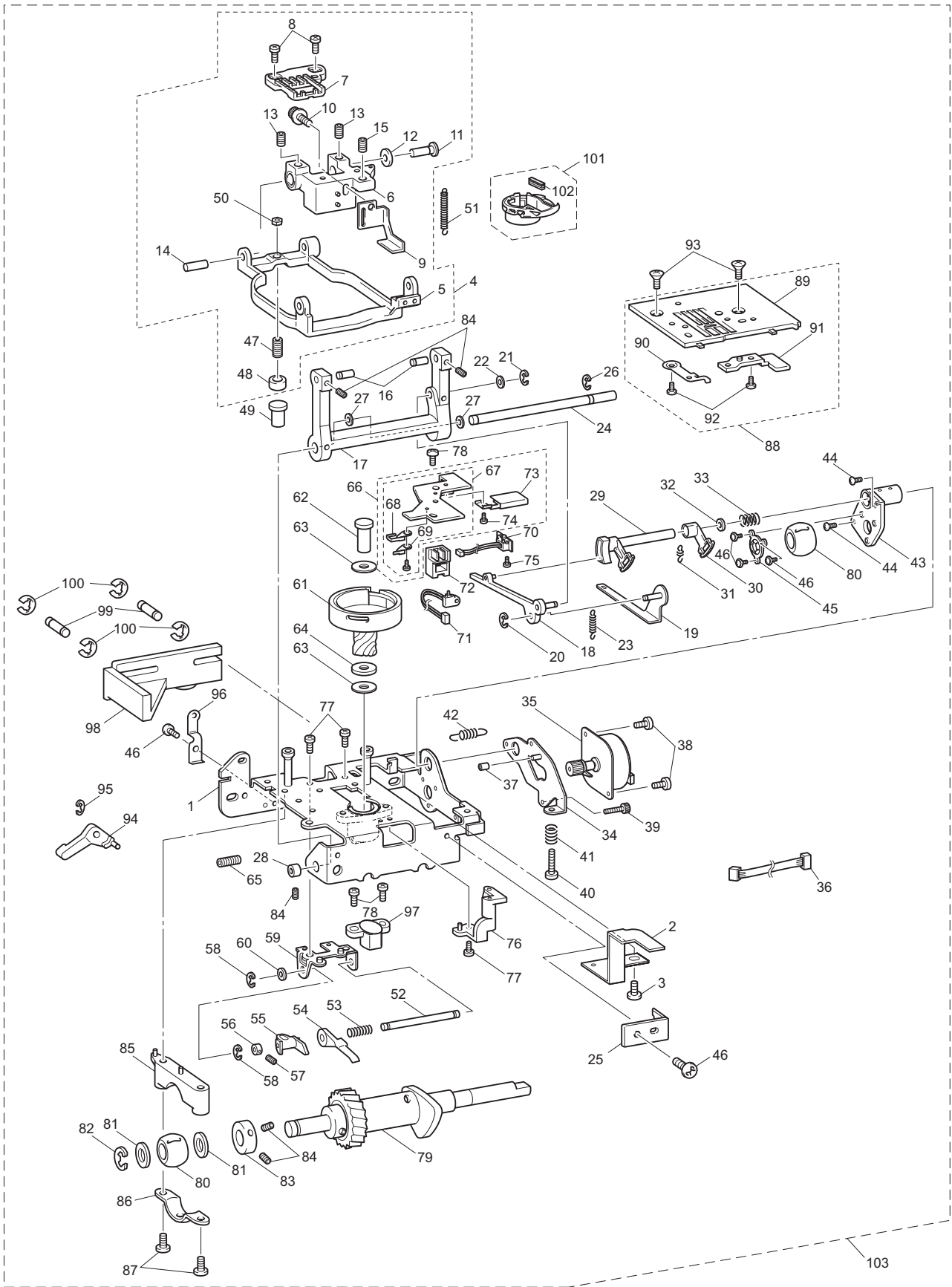
FEED MODULE



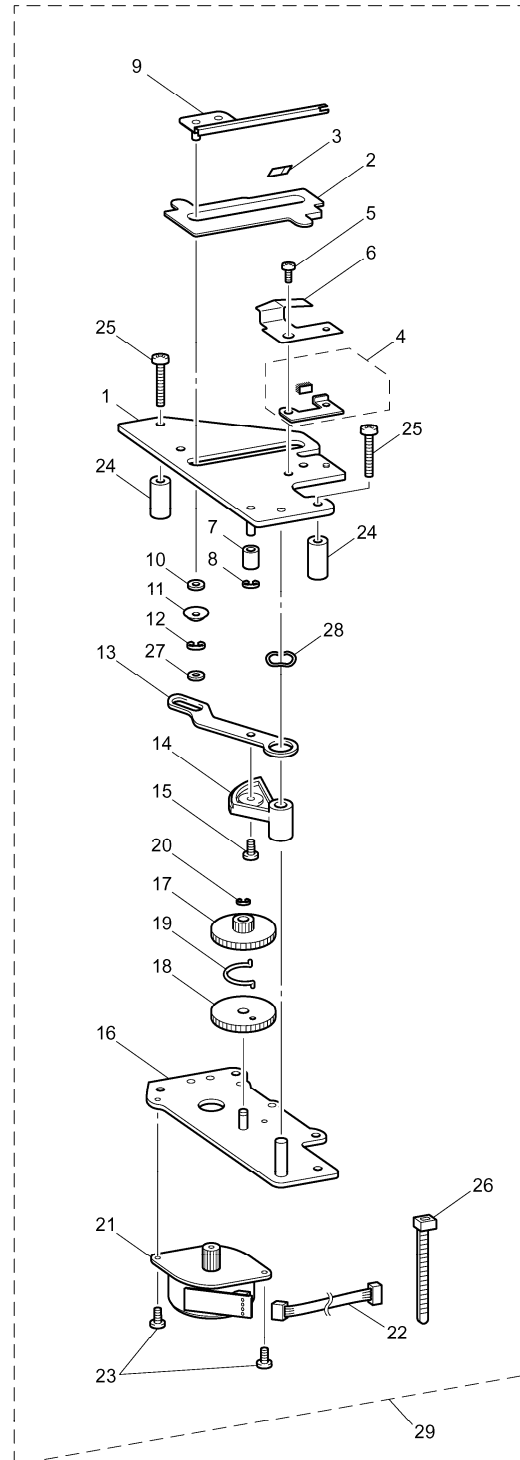
FEED MODULE

No.	CODE	NAME	R/H	REMARKS	No.	CODE	NAME	R/H	REMARKS
1	XC7638151	BASE PLATE			45	XC2542021	BUSHING PRESSER B		
2	XC7837051	F GEAR STOPPER PLATE			46	060300516	SCREW BIND M3X5		
3	060400416	SCREW, BIND M4X4			47	012401032	SET SCREW SOCKET (FT) M4X10		
4	XC7841151	FEED BAR ASSY			48	XC7853250	CAP		
5	XC7842151	FEED BAR			49	XC7854051	VERTICAL ROD		
6	XC8530051	FEED DOG BASE ASSY			50	X56851051	LOCK NUT		
7	XC7846351	FEED DOG	H		51	XZ0385051	SPRING		
8	060300616	SCREW BIND M3X6			52	XC8361051	VERTICAL FEED SHAFT		
9	XC7847051	FEED DOG CORRECTION PLATE			53	XC7856051	SPRING		
10	XC3338051	SCREW3X8			54	XC7857050	FEED DOG CORRECTION LEVER		
11	XC7848051	FEED DOG BASE SHAFT A			55	XC7858250	VERTICAL LEVER		
12	137999050	POLYESTER SLIDER			56	XC2552051	SET SCREW COLLAR		
13	014400432	SET SCREW SOCKET (CP) M4X4			57	014400432	SET SCREW SOCKET (CP) M4X4		
14	XC7849051	FEED DOG BASE SHAFT B			58	048030343	RETAINING RING E3		1000038911
15	012400432	SET SCREW SOCKET (FT) M4X4			59	XC7859051	VERTICAL SUPPORTING PLATE		
16	XC2512051	FEED BAR SHAFT A			60	137713050	POLYESTER SLIDER		
17	XF6785001	FEED ARM A		1000036702	61	XF3569001	OUTER ROTARY HOOK ASSY	H	1000030480
18	XC2517021	FEED ARM B ASSY			62	XC2230051	OUTER ROTARY HOOK SHAFT		
19	XC2521021	FEED SUPPORTING PLATE ASSY			63	137805052	SPACER		
20	048020343	RETAINING RING E2		1000038911	64	137976051	WASHER 6		
21	048030343	RETAINING RING E3		1000038911	65	014400632	SET SCREW SOCKET (CP) M4X6		
22	137999050	POLYESTER SLIDER			66	XC9987251	I R HOOK BRACKET SUPPLY ASSY		1000042938
23	XC9277051	SPRING			67	XC8406451	INNER ROTARY HOOK BRACKET ASSY	H	1000041311
24	XC7835051	HORIZONTAL FEED SHAFT			68	XE3331101	SPRING PLATE		1000041311
25	XC8195051	SHAFT STOPPER PLATE			69	XC2558150	SPRING ASSIST PLATE		1000041311
26	048050343	RETAINING RING E5		1000038911	70	XC8350051	PHOTO DIODE HOLDER ASSY		
27	X50546050	WASHER, THRUST			71	XC8240051	ASSY: PLTSW D6		
28	130676151	SET SCREW COLLAR			72	XC7865150	NEEDLE PLATE SW HOLDER		
29	XC2527121	FEED ADJUSTER			73	XC7866351	CORD HOLDER		
30	XC2529020	F GEAR			74	060260316	SCREW BIND M2.6X3		
31	XC2530021	SPRING			75	000020416	SCREW BIND M2X4		
32	137713050	POLYESTER SLIDER			76	XE5384001	STOPPER PLATE BLOCK ASSY	H	
33	XC2531021	SPRING			77	060400516	SCREW BIND M4X5		
34	XZ0397051	FPM HOLDER ASSY			78	060300816	SCREW BIND M3X8		
35	XC9759051	FPM INSULATION ASSY			79	XC7867051	LOWER SHAFT B ASSY		
36	XC8236051	ASSY: FPM LEAD WIRE			80	X52664050	LOWER SHAFT BUSHING		
37	XC2587050	RUBBER			81	X51383050	WASHER, THRUST		
38	060300516	SCREW BIND M3X5			82	048060343	RETAINING RING E6		1000038911
39	XC3338051	SCREW3X8			83	137768151	SET SCREW COLLAR		
40	018402532	BOLT SOCKET M4X25			84	014400432	SET SCREW SOCKET (CP) M4X4		
41	XC2537021	SPRING			85	XC2566021	BUSHING SUPPORTER A		
42	XC2538021	SPRING			86	XC2567021	BUSHING PRESSER A		
43	XC2539021	BUSHING SUPPORTER ASSY			87	060401616	SCREW BIND M4X16		
44	060400616	SCREW BIND M4X6			88	XC7871351	NEEDLE PLATE A ASSY	H	1000029553

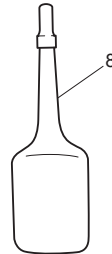
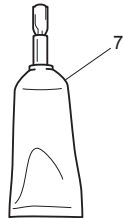
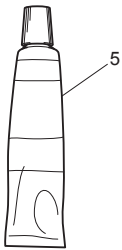
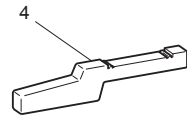
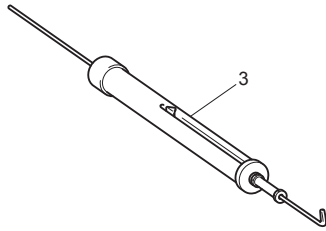
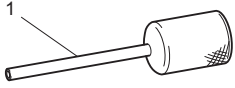
FEED MODULE



THREAD CUTTER MODULE



SPARE PARTS



brother